



© 2016 Pure Lighting. All Rights Reserved.

Installation Instructions For Reveal Wall Wash

1718 W. Fullerton Ave
Chicago, IL 60614
Tel: 773-770-1196
Fax: 773-93505613
www.purelighting.com
info@purelighting.com



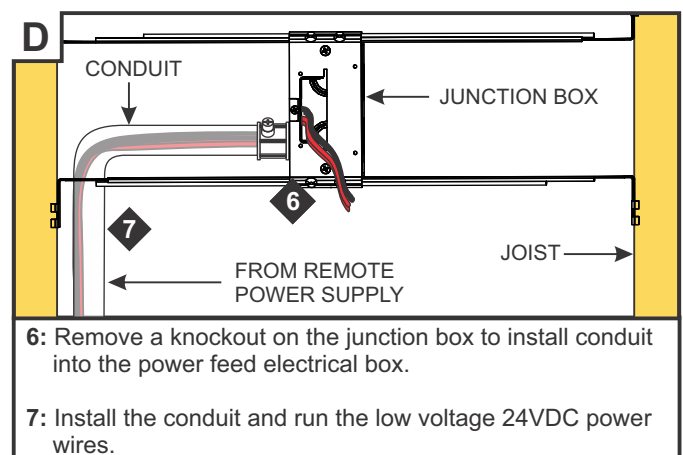
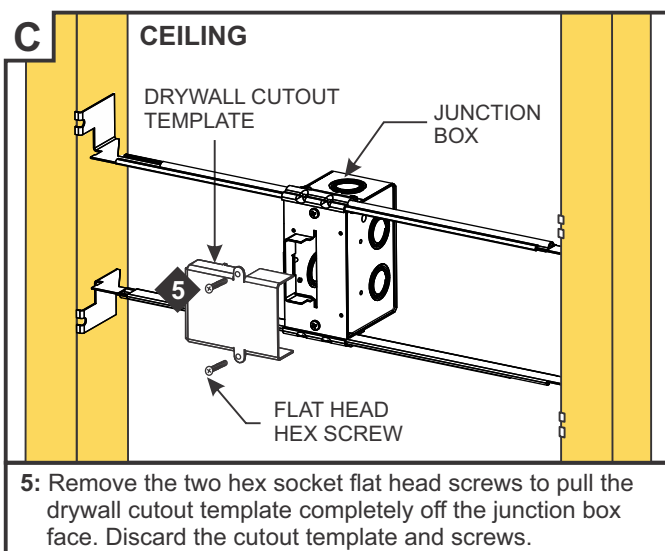
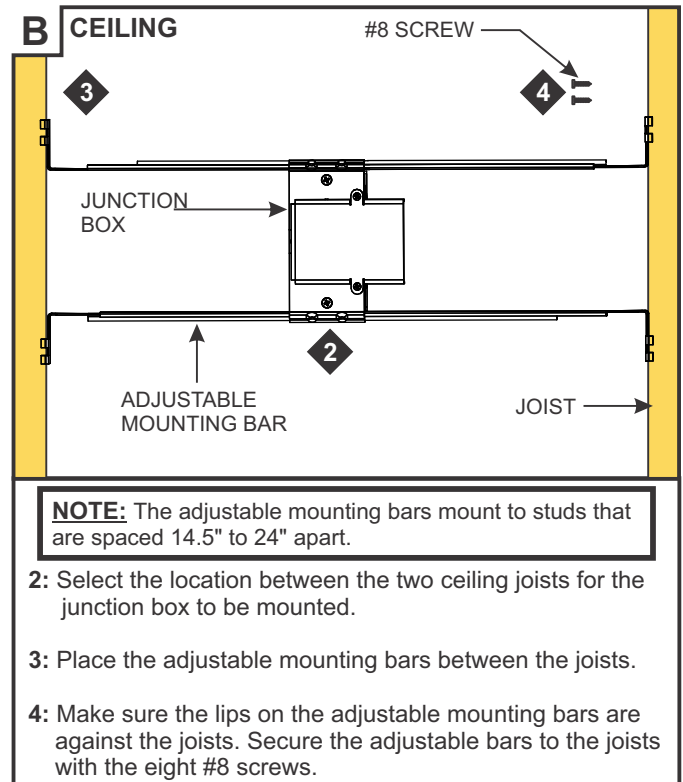
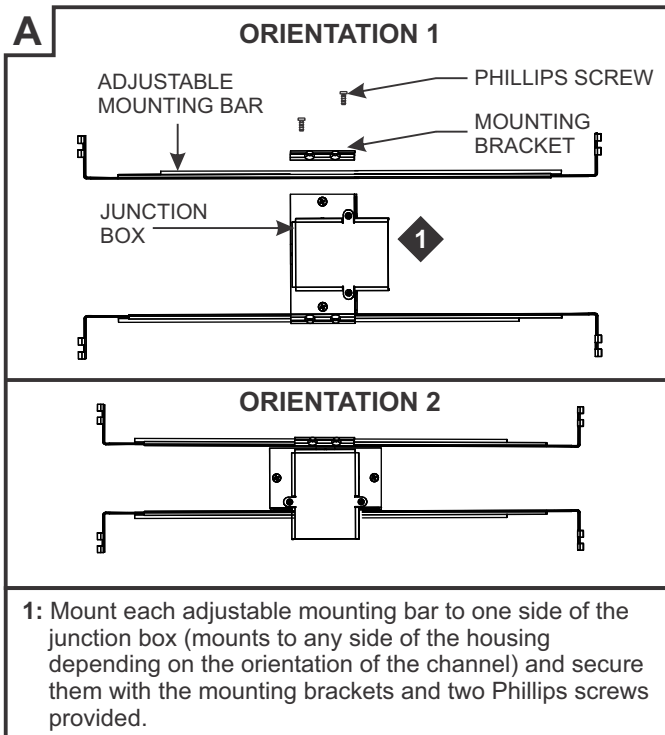
IMPORTANT INFORMATION

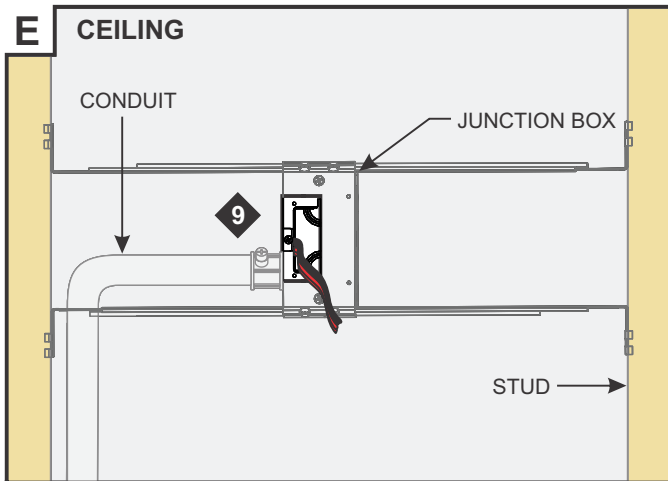
- This instruction shows a typical installation.
- It is recommended that a qualified electrician install this product.

SAVE THESE INSTRUCTIONS!

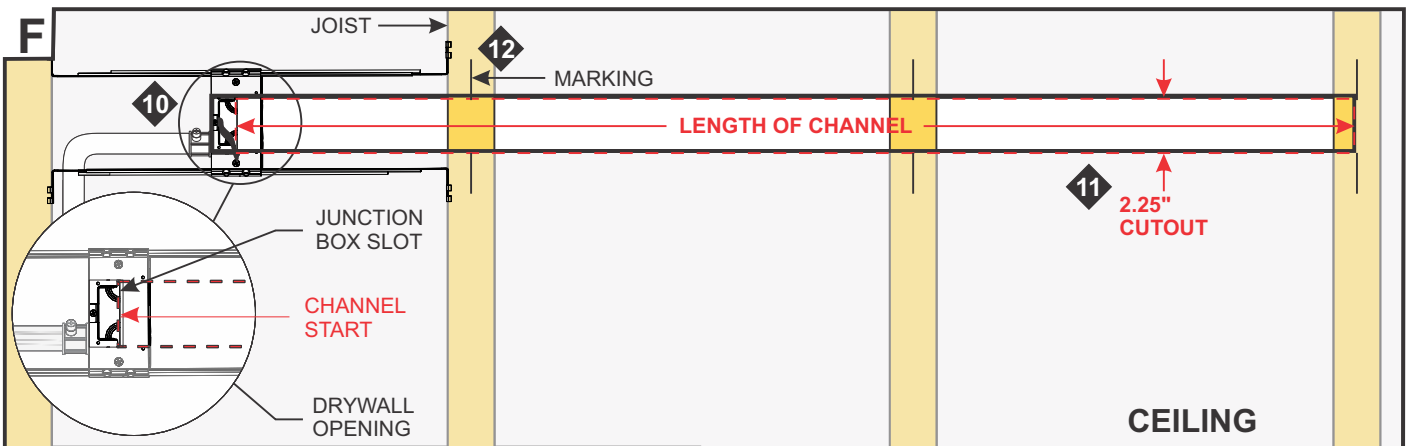


Install the Junction Box

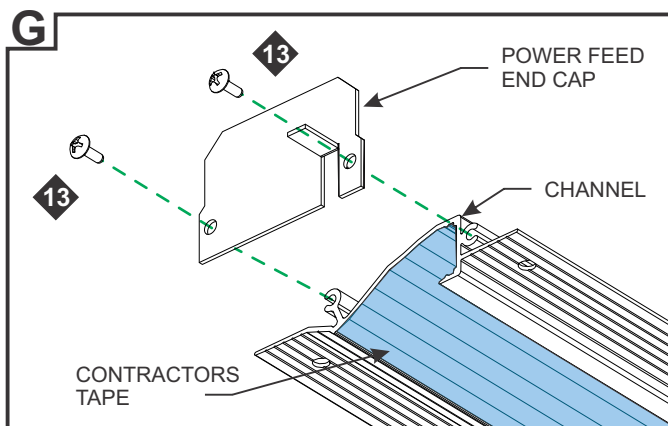




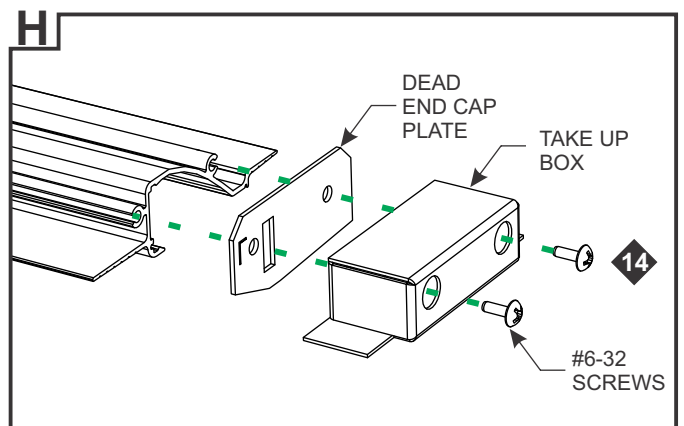
- 8:** Mark the junction box opening on the drywall and cut out.
- 9:** Install the drywall.



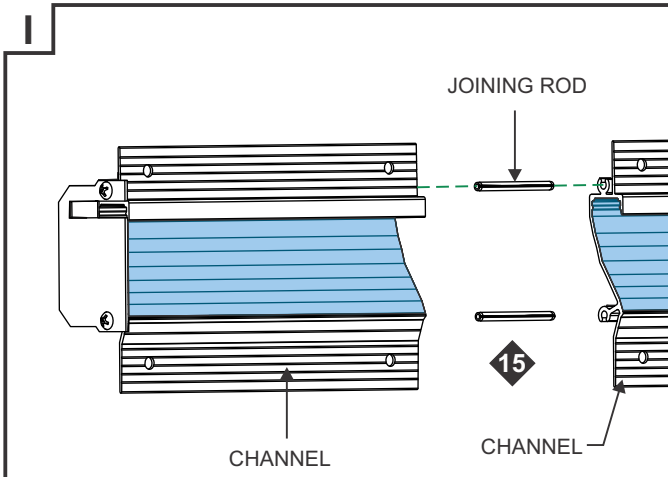
- 10:** Using the drywall opening as reference, mark 2.25" wide lines the complete length of the channel along the drywall.
- 11:** Cut out the mark line on the drywall.
- 12:** Mark the location of the joists to the drywall for future reference.



- 13:** Install power feed end cap to the end of the channel that will be aligned with the junction box. Align the slot with the LED section of the channel.

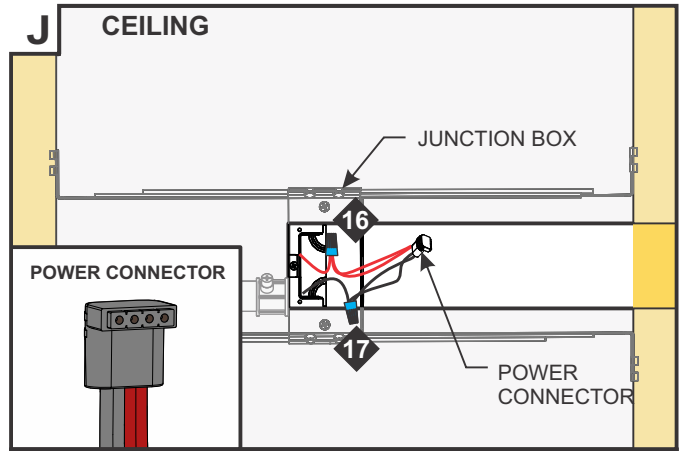


- 14:** Install the dead end cap plate and take up box to opposite end of channel length using supplied screws. Align the slot with the LED section of the channel.



NOTE: It is recommended more than one person install the Reveal Wall Wash channel.

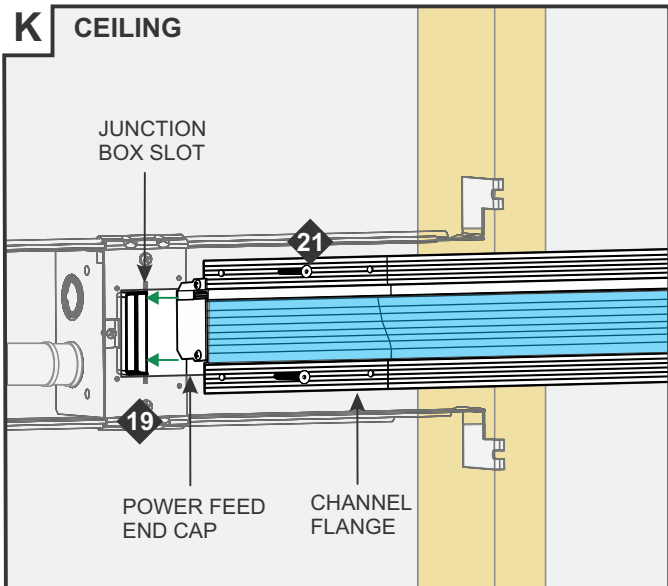
15: Insert the joining rods half way into each channel and slide channel pieces together.



16: Connect the red power supply (24VDC+) wires to each red power connector wire with a wire nut.

17: Connect the black power supply (24VDC-) wires to each black power connector wire with a wire nut.

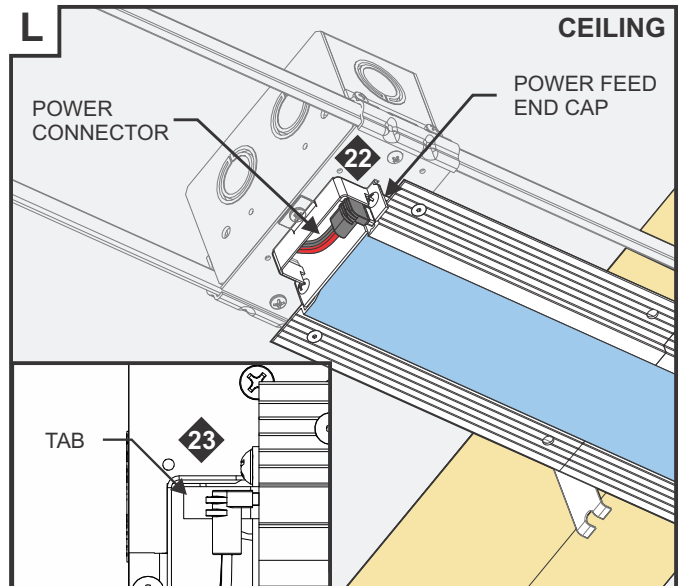
18: Place the wire nut connections inside junction box.



19: Align the power feed end caps into the junction box opening slots at both ends and push channel into the drywall cutout in the ceiling.

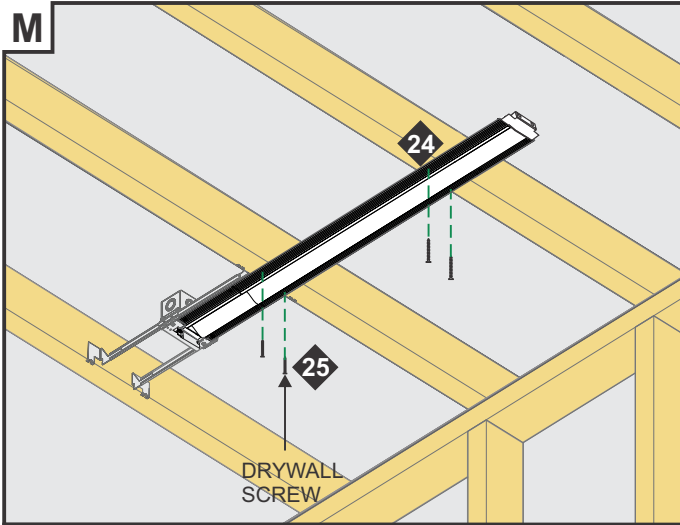
20: Make sure channel is aligned straight using a level.

21: Secure the channel using the two Phillips screws to the junction box flat head hex screws.



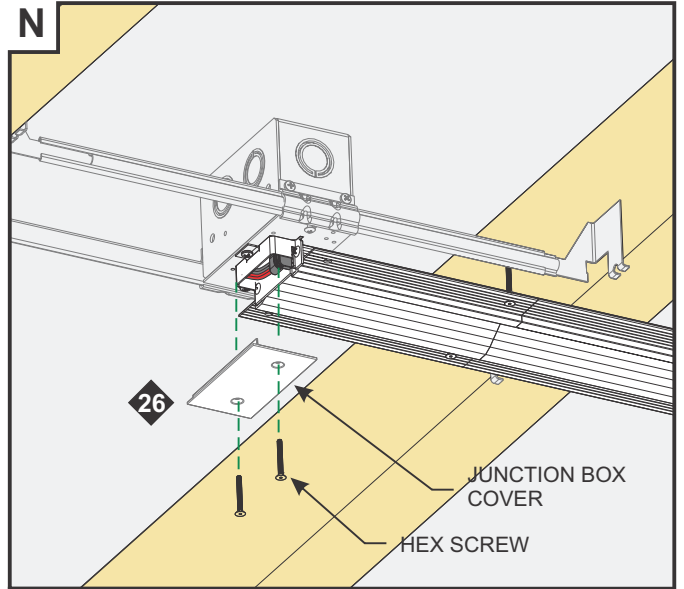
22: Place the power connectors into the slots in the power feed end caps.

23: Use needle-nose pliers to bend up tab on power feed end cap to secure the power connector in place.

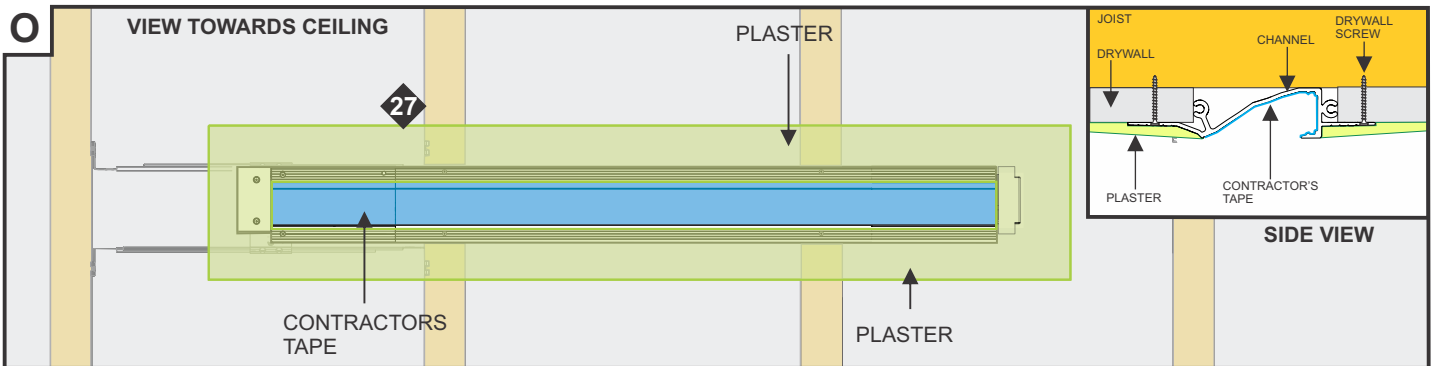


24: Drill and countersink holes to the channel at marked joist positions.

25: Secure channel to joists using #8 drywall screws.

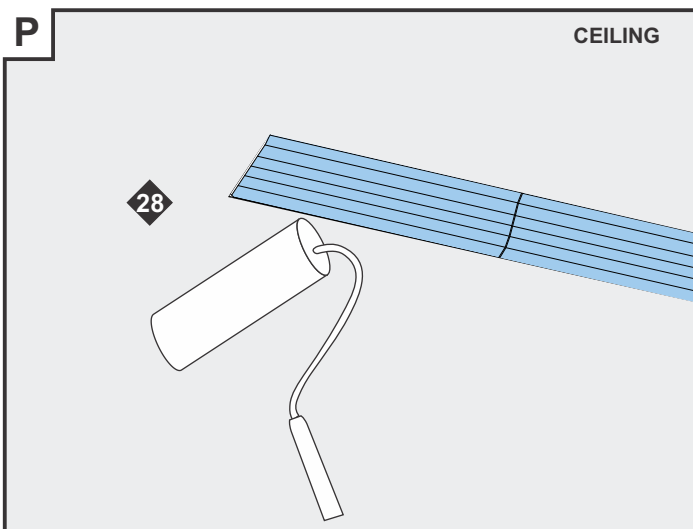


26: Secure the junction box cover to each junction box using the supplied hex screws.

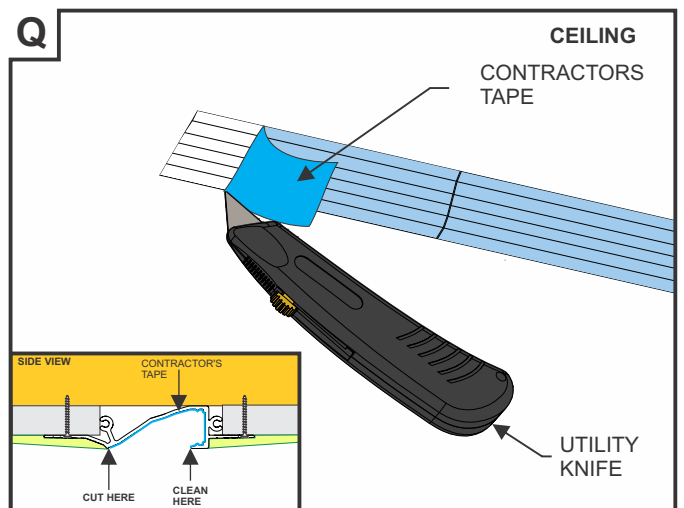


NOTE: Test the LED strip before any plaster work is done.

27: Plaster the channel flange edge to the ceiling and fill screw holes (highlighted in green). Sand and finish.

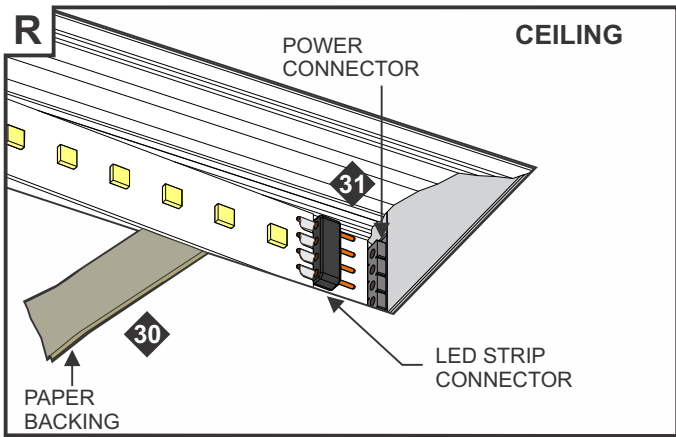


28: Paint the ceiling and channel lip.



29: Use a utility knife to cut along the channel gutter while removing contractor's tape from the channel. This will avoid plaster and paint damage during tape removal.

30: Run utility knife blade along channel edge near area where LED strip will be installed to remove any excess paint.

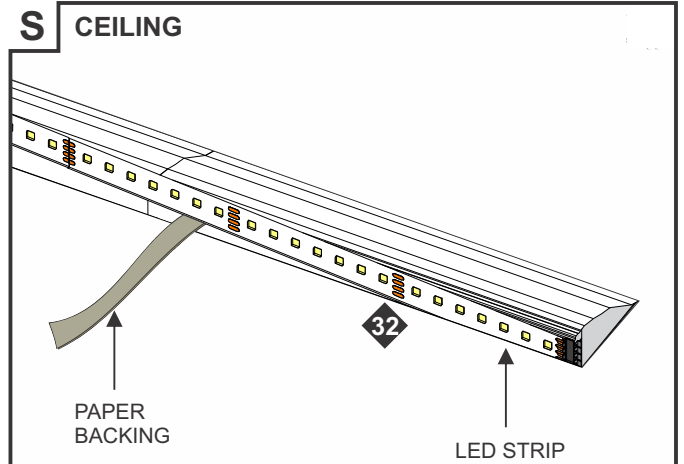


NOTE: Clean the channel area where the soft strip will be installed with alcohol prior to installation.

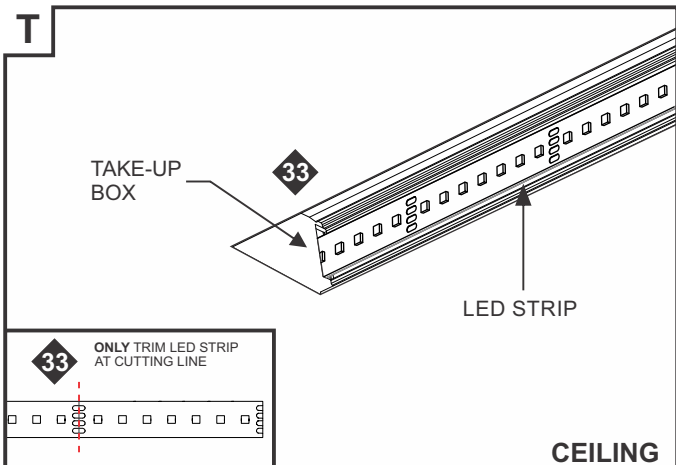
NOTE: If installation requires RGB, RGB+W, or Tunable White, refer to wiring diagrams on pages 6-8.

30: Begin removing the paper backing from the LED strip to expose the adhesive.

31: Insert the LED strip connector into the power connector.



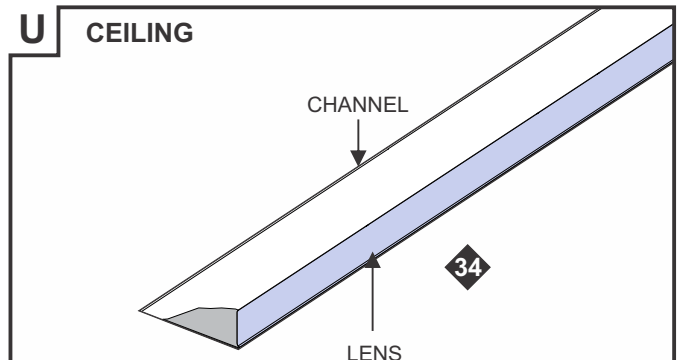
32: Lay the LED strip into the channel while removing the paper backing.



33 ONLY TRIM LED STRIP AT CUTTING LINE

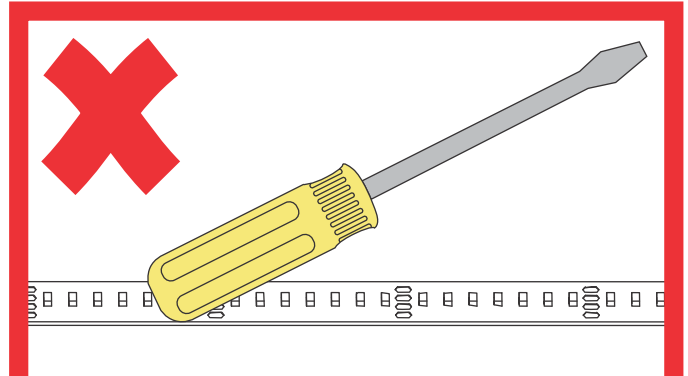
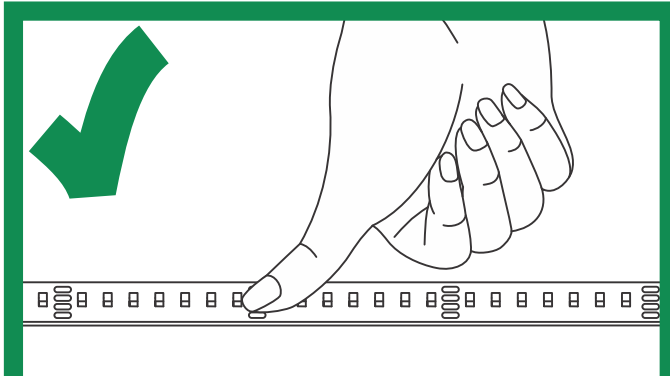
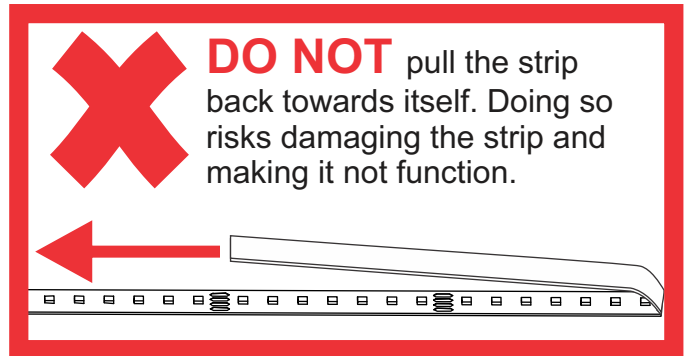
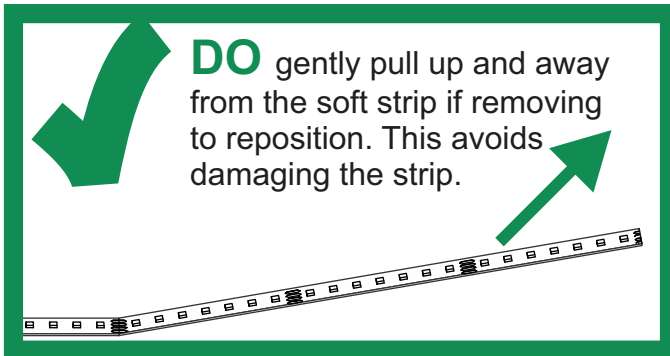


33: Trim excess LED strip ONLY at the indicated trim lines. Insert excess LED strip into take-up box.

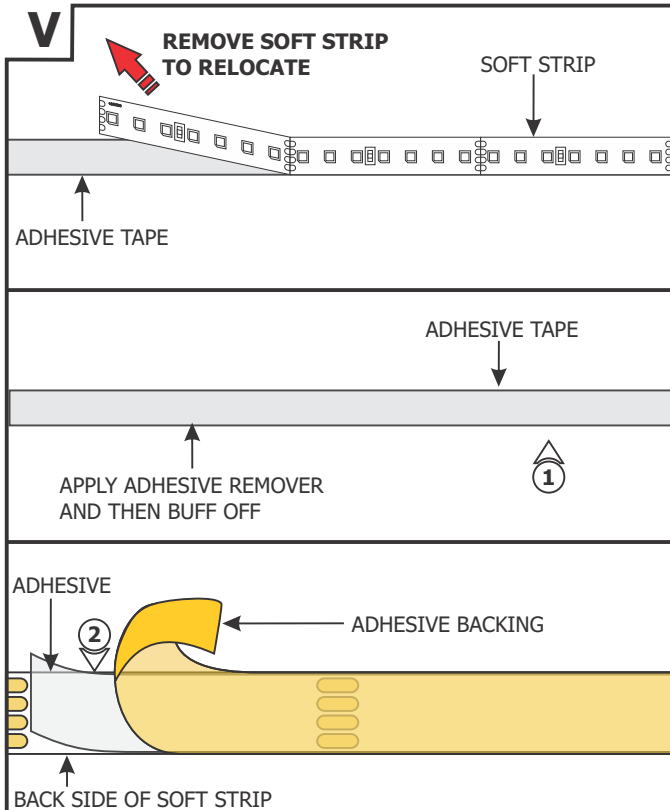


34: Install the lens (highlighted in blue) into the channel. Ensure the lens is fully seated.

IMPORTANT INFORMATION REGARDING INSTALLATION AND REWORK OF SOFT STRIP LED



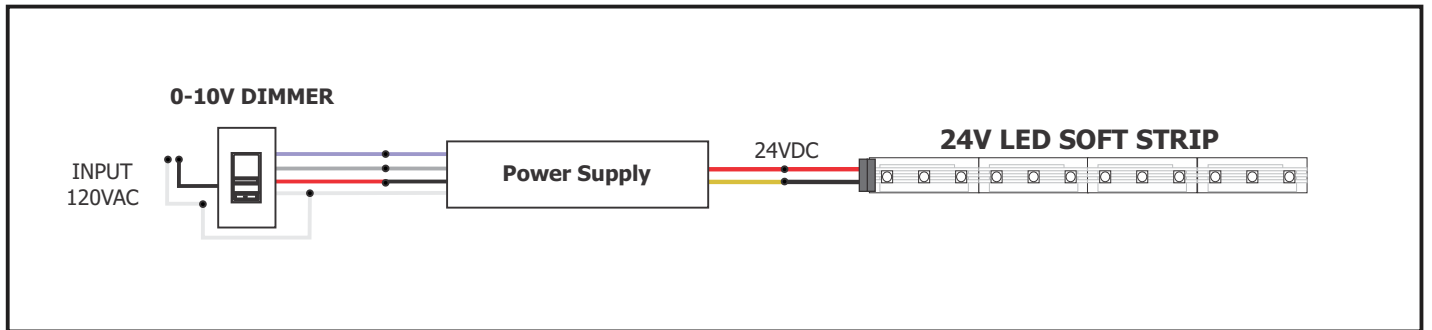
Relocating Soft Strip (Optional)



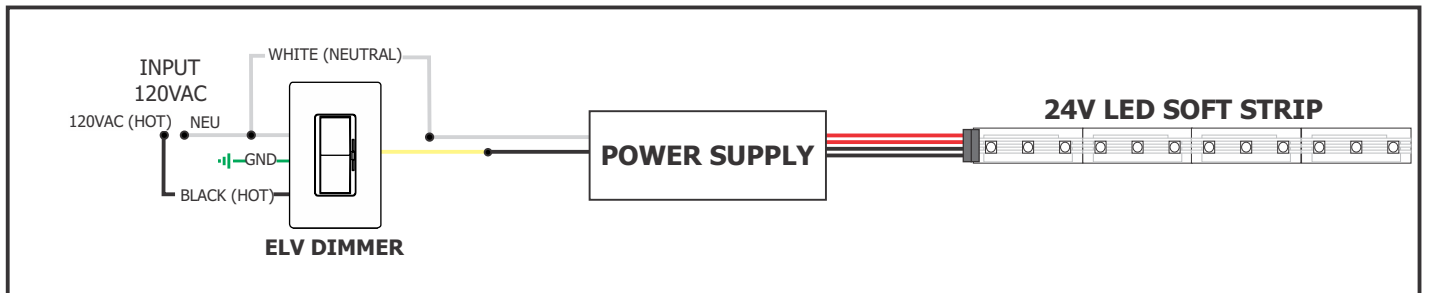
NOTE: If relocating the installed soft strip, make sure that the adhesive tape on back of the soft strip covers the entire strip. The adhesive tape isolates the strip from the installation surface. Damaged or inconsistent adhesive tape may cause the contacts on the back of the strip to come in contact with the conductive heat sink which will cause the strip to short and burn. Call Edge Lighting to get replacement adhesive tape and/or optional aluminum heat sink tape (SS-HR-F).

- 1:** To remove tape residue from back of the strip, apply WD-40, Goo Gone, or a mixture of warm water and lemon oil to the corner of a clean, dry towel. Gently buff the area containing the adhesive residue until it is completely removed.
- 2:** Gently remove a few inches of the from one side of the tape backing. Attach the adhesive tape to the back of the soft strip and apply moderate pressure to affix the tape. Continue this step a few inches at the time until the entire adhesive tape is attached to back of the soft strip.
- 3:** Refer to steps 30 through 33 to reinstall the soft strip.

General 0-10V Configuration

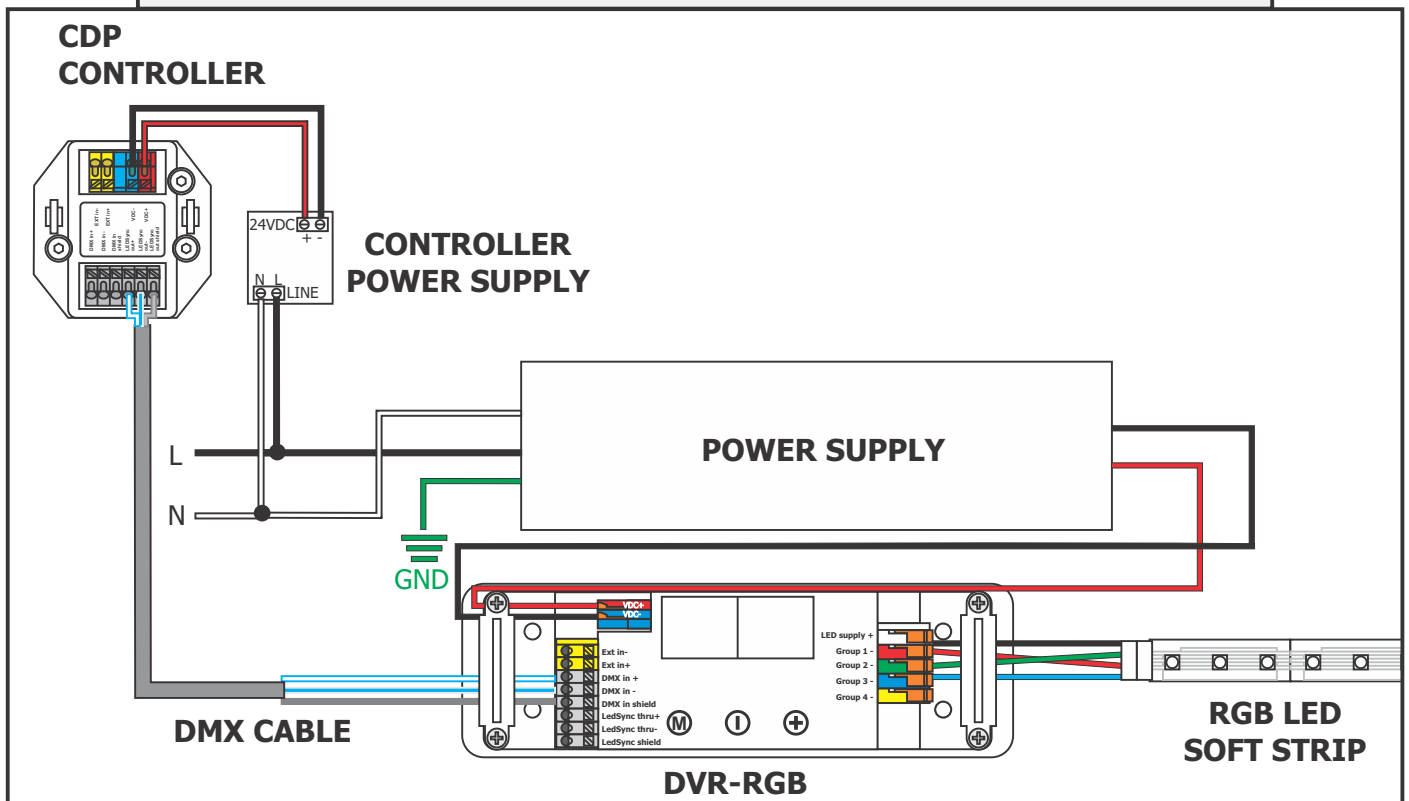


General 24VDC Configuration



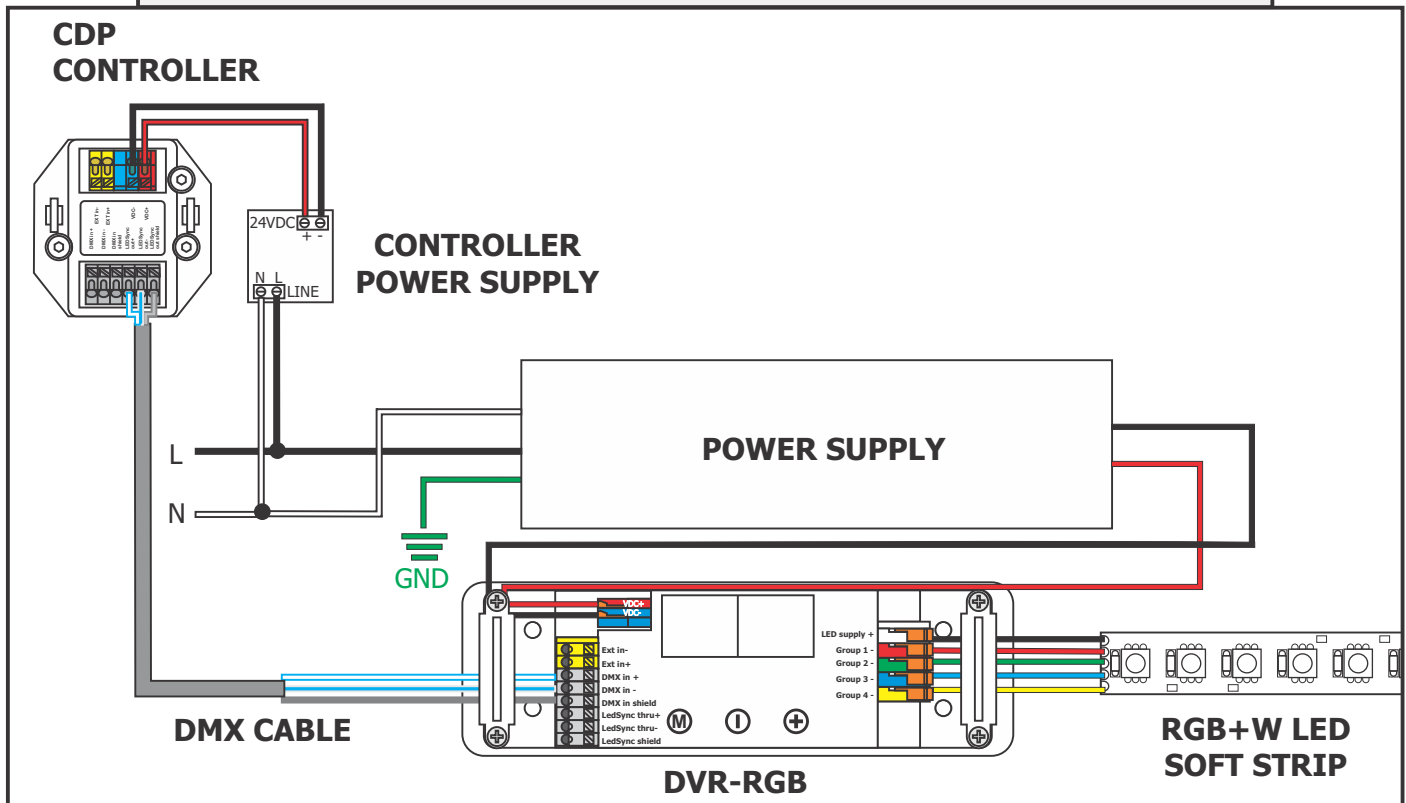
Standard RGB Configuration

Using LED Power Supply with RGB Soft Strip & CDP or CTP Control



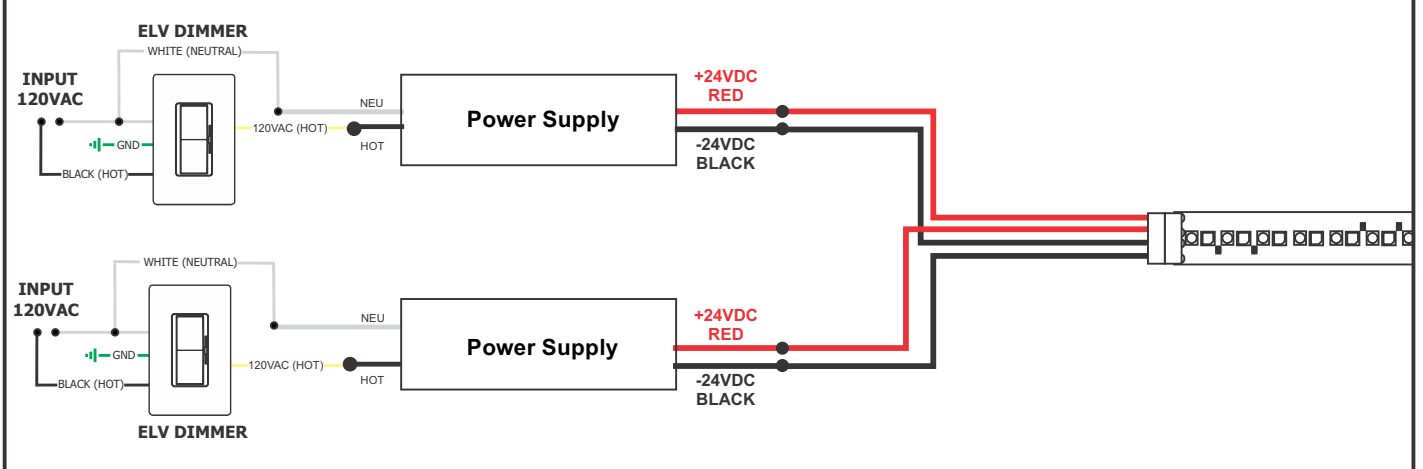
RGB+W Configuration

Using LED Power Supply with RGB+W Soft Strip & CDP or CTP Control



Tunable White Configuration

Dual Power Supplies Controlled Via Individual ELV Dimmers



Tunable White Configuration

RGB Power Supply with DMX Controller

CDP/CTP or other
DMX Signal From Any
Compatible Controller

LED SYNC OUT+
LED SYNC OUT-
LEDSYNC OUT SHIELD

L N

Power Supply

If using a CDP Color Dial, configure your CDP
to Warm White mode using DIP switches and
follow CDP operating instructions:



DMX Cable
(belden #9841 or CAT5)

Driver

+

-