

General Information

Fixture must be installed by a qualified electrician (check with local and national electrical codes for proper installation). **WARNING:** To prevent electrical shock, disconnect electrical supply before installation or servicing.

WORKFLOW CHART



ELECTRICAL CONTRACTOR

1. Locate and mount housing
2. Screw and lock-in housing
3. Connect wires in housing



DRYWALL CONTRACTOR

1. Install and cut drywall around housing.



ELECTRICAL CONTRACTOR

1. Adjust plaster flange frame and tighten wing nuts.
2. Connect the MR16 wiring to the plaster plate.
3. Screw plaster plate into housing.
4. Test the MR16 lamps.



DRYWALL CONTRACTOR

1. Plaster, sand & paint.
2. Clean aperture with clean damp towel.



ELECTRICAL CONTRACTOR

1. Clean aperture with clean damp towel, where the drywall contractor missed.
2. Adjust pan rotation ring and aim lamp. You're done!

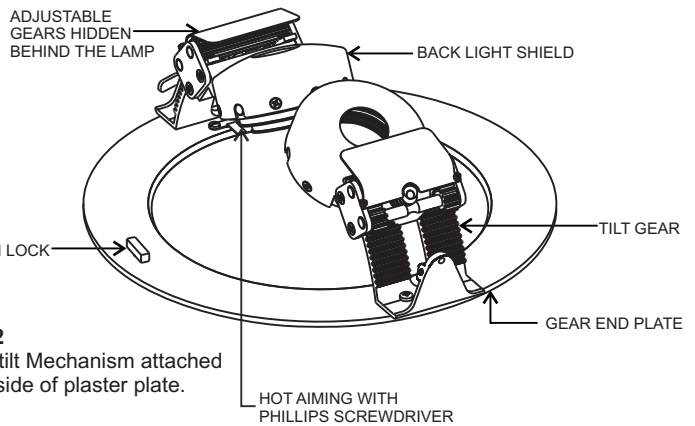
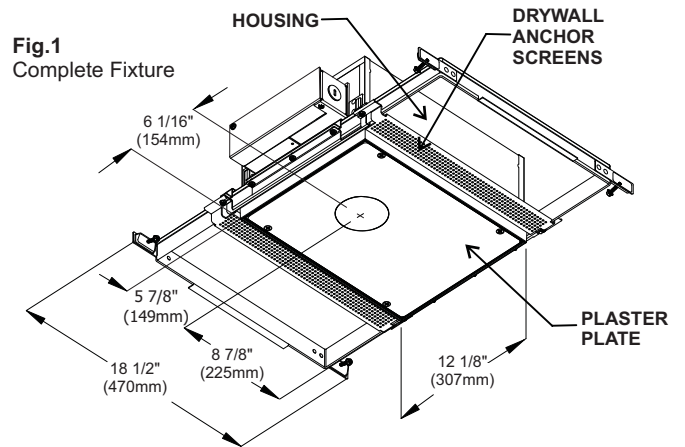


Fig.2
Pan tilt Mechanism attached to inside of plaster plate.

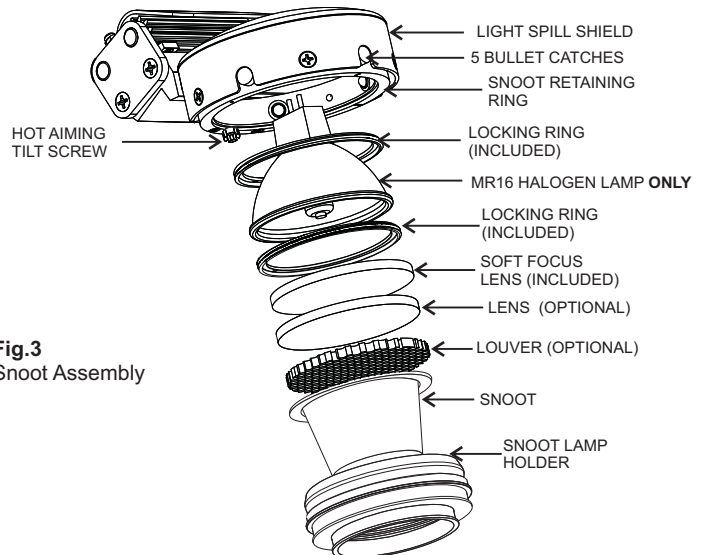
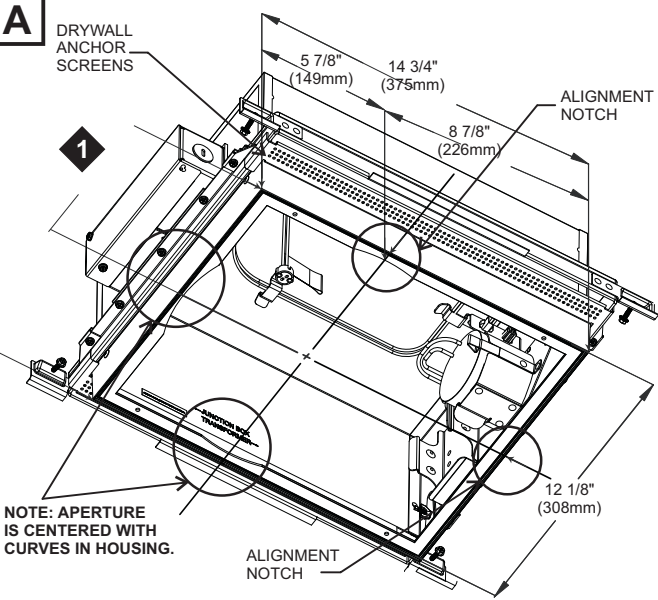


Fig.3
Snoot Assembly

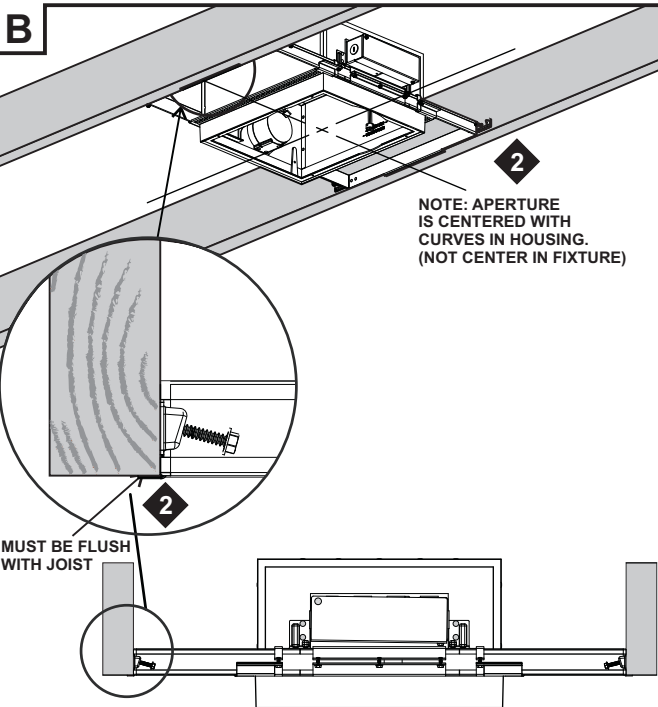


ELECTRICAL CONTRACTOR

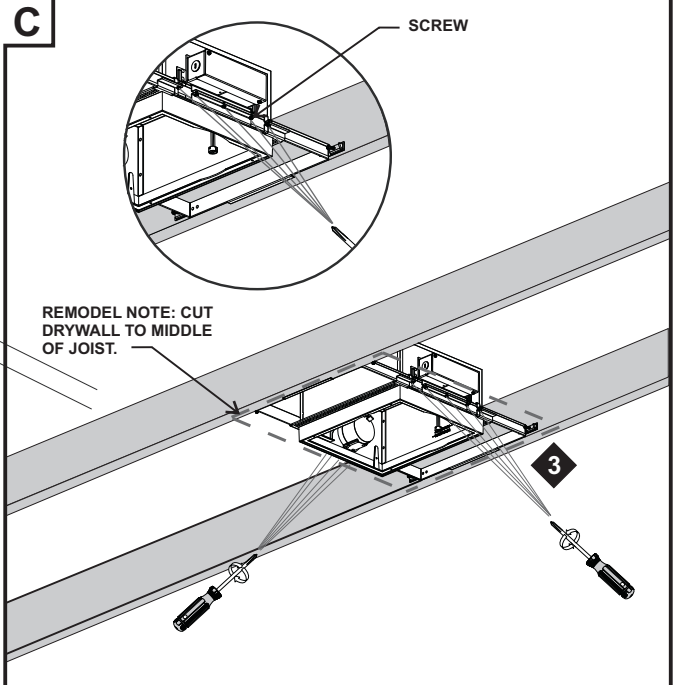


1: Use these dimensions when locating the center point of the aperture during the installation process. Align the fixture using a laser or a chalk line.

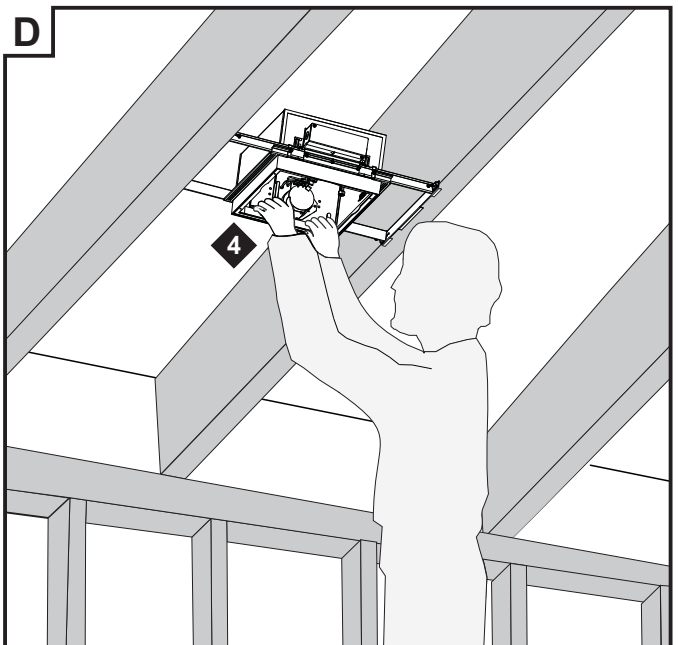
NOTE: Drywall anchor screens may be removed, if the joist are less than 14 1/2" apart.



2: Hanger bars must align and remain flush with joist.



3: After fixture is positioned, tighten all (10) screws on hanger bars.



4: After installation, slightly pull on fixture to ensure there is no movement.



E

LINE INPUT 120V - 240V

INSIDE AURORA JUNCTION BOX
(NOT TO SCALE)

- Neutral

+ Dimmable Switchleg

TO NEXT FIXTURE

NOTE
Leave 12" of wire in the
junction box for future
maintenance through
the fixture aperture.

Make sure the wires
nut connections are
tight.

MAGNETIC LOW
VOLTAGE DIMMER

INSIDE AURORA
FIXTURE

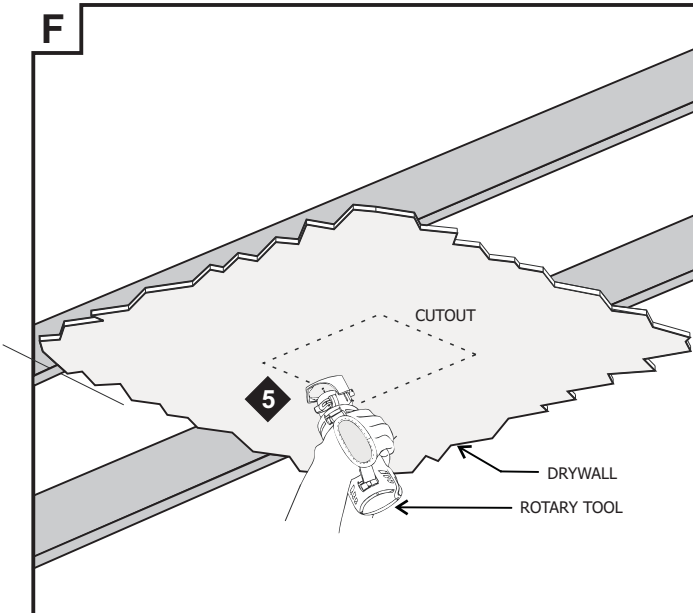
120V 75W MAGNETIC
TRANSFORMER
(240V ELECTRONIC
TRANSFORMER FOR
EUROPE)

MR16 LAMP

WIRING DIAGRAM
FOR USE WITH PURE LIGHTING® AURORA NON-RGB FIXTURES

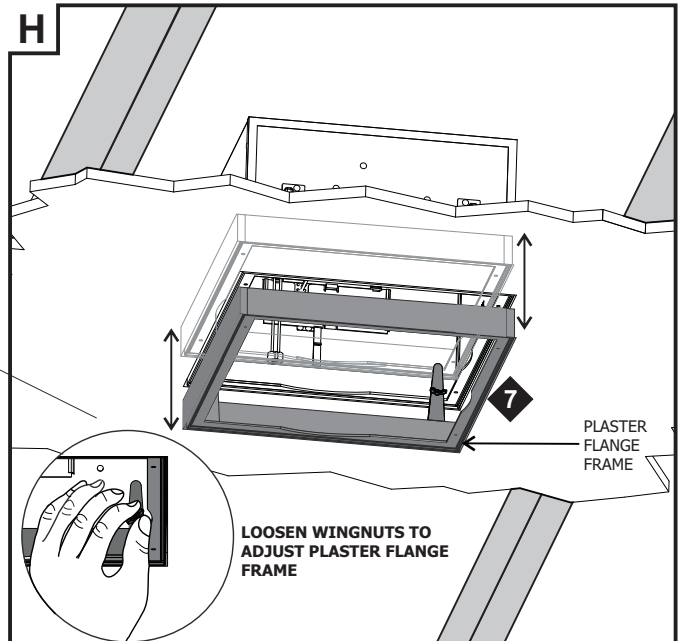
DRYWALL CONTRACTOR

F



5: Drywall contractor must install drywall and cut 14-3/4" (375mm) X 12-1/8" (308mm) hole with rotary cutting tool around fixture or pre-cut hole in drywall prior to installation.

H

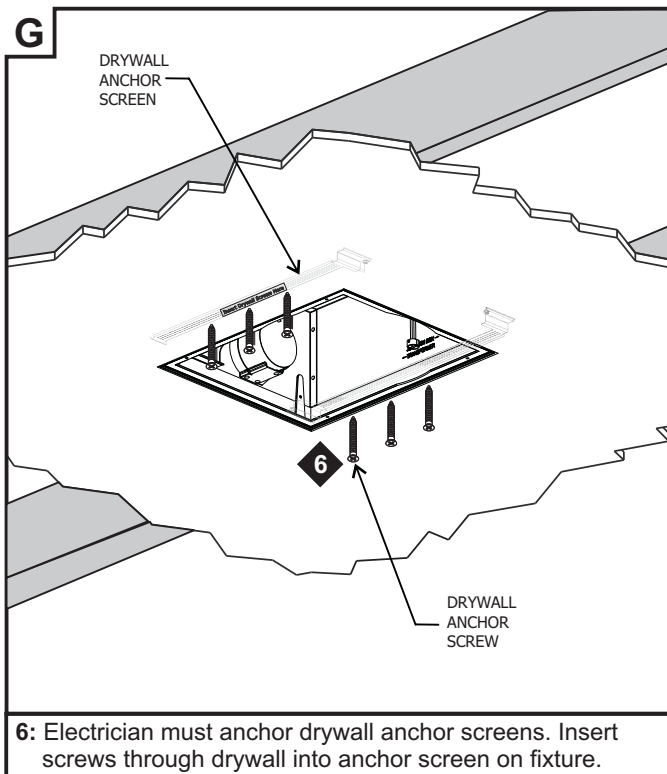


7: Loosen (4) wing nuts and adjust plaster flange frame to be flush with drywall. All 4 corners **MUST** be exactly even with drywall. Plaster flange frame adjusts to accommodate 1/2" (13mm) to 1-1/4" (32mm) ceiling thickness.



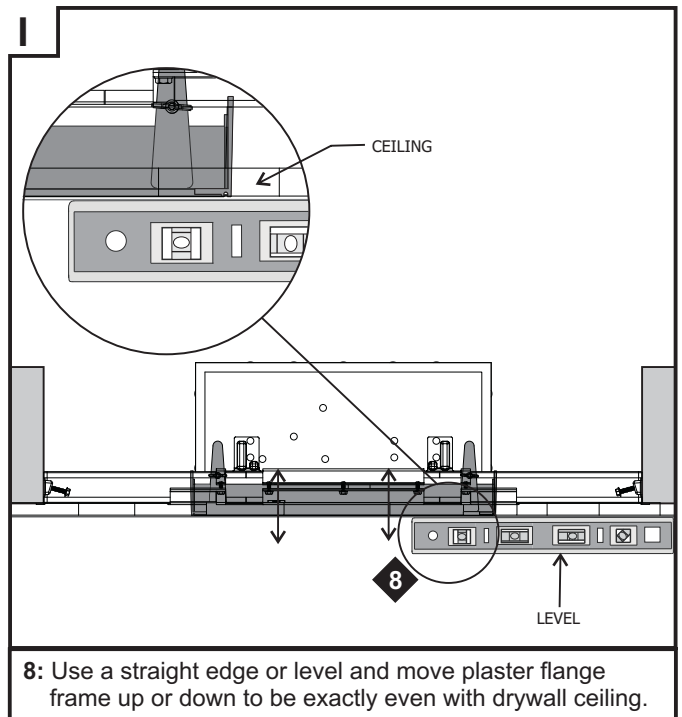
ELECTRICAL CONTRACTOR

G



6: Electrician must anchor drywall anchor screens. Insert screws through drywall into anchor screen on fixture.

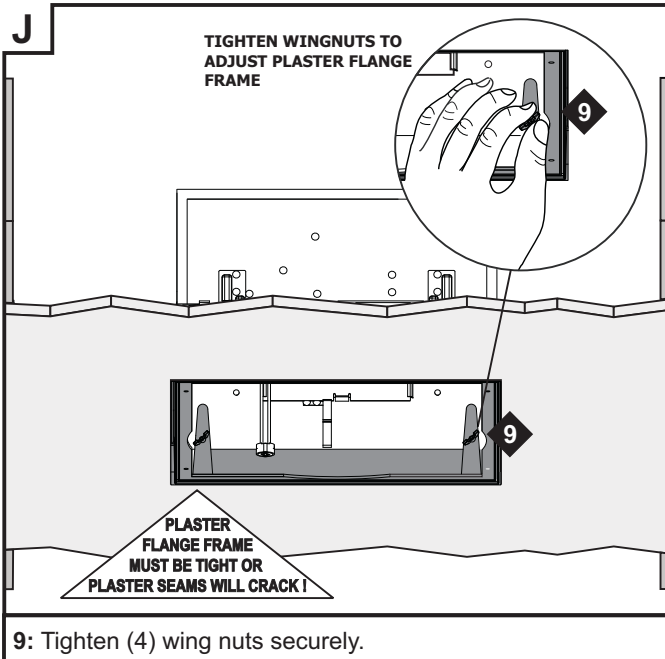
I



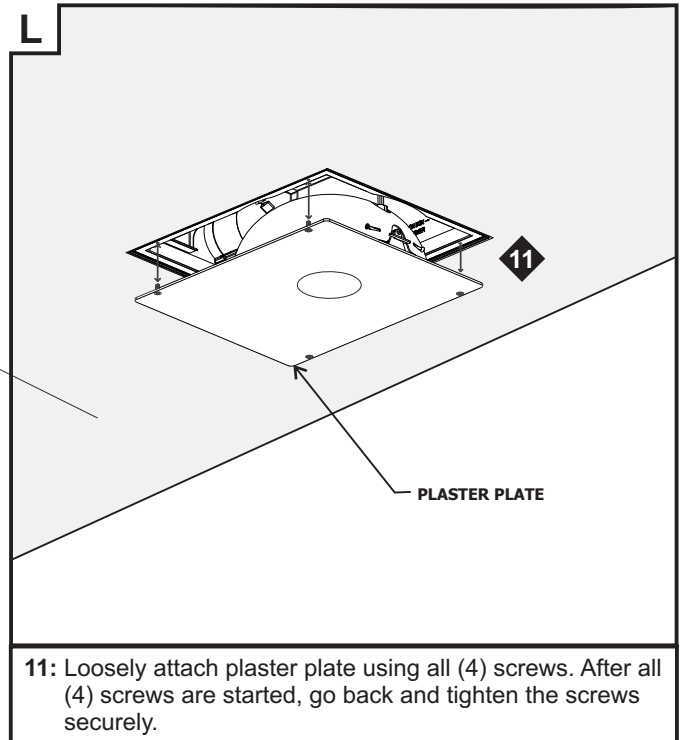
8: Use a straight edge or level and move plaster flange frame up or down to be exactly even with drywall ceiling.



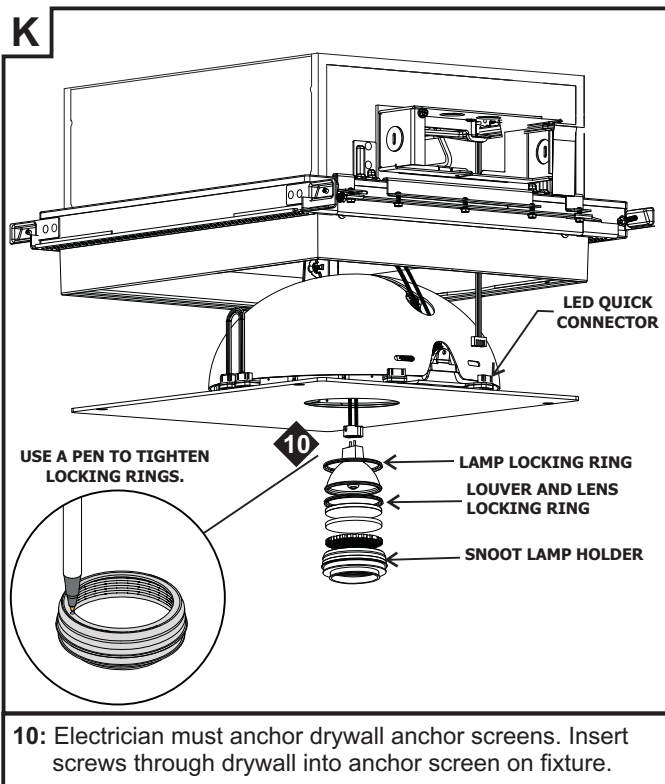
ELECTRICAL CONTRACTOR



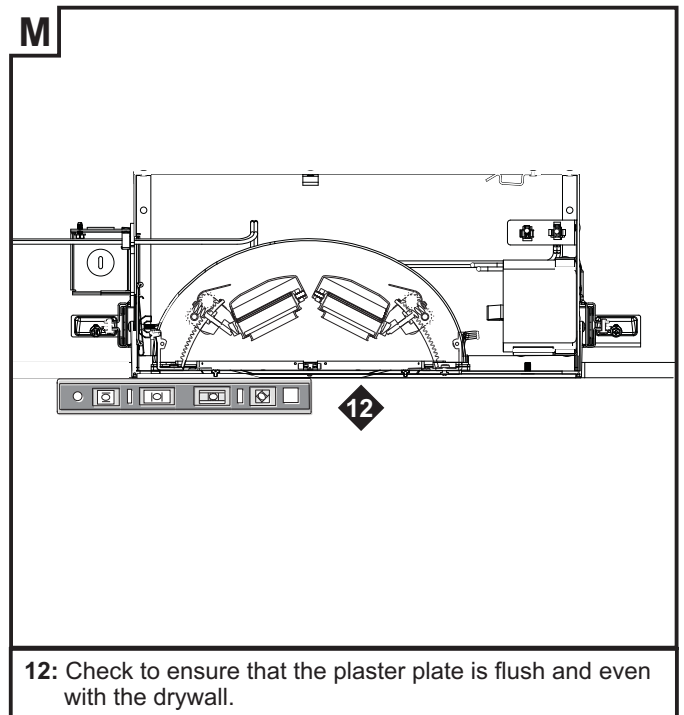
9: Tighten (4) wing nuts securely.



11: Loosely attach plaster plate using all (4) screws. After all (4) screws are started, go back and tighten the screws securely.



10: Electrician must anchor drywall anchor screens. Insert screws through drywall into anchor screen on fixture.



12: Check to ensure that the plaster plate is flush and even with the drywall.



N

MR16 HALOGEN ACCENT LIGHT (NO MR16 LED)

13: Turn on and test MR16 lamps to ensure they are properly installed.

P

HANDS MUST BE CLEAN WHEN ADJUSTING FIXTURE

15: Tilt and rotate MR16 lamp cartridge as needed. When lamp is properly adjusted secure pan lock.

O

HANDS MUST BE CLEAN WHEN ADJUSTING FIXTURE

14: To aim lamp, loosen pan lock, rotate and position the pan rotation ring.

Q

OPEN SPACE ON RACK

GEAR COVER

TOP CLIP

BOTTOM CLIP

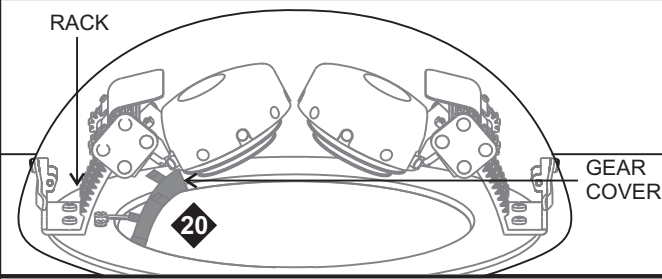
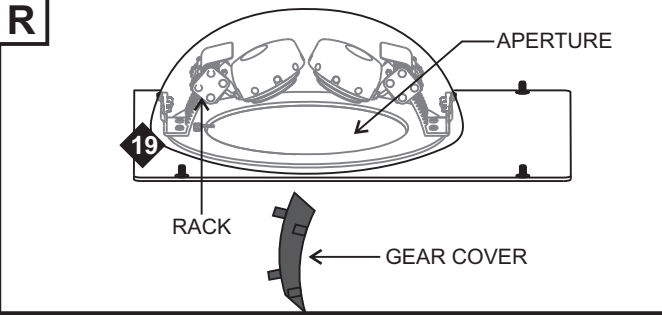
16: Measure the distance of the open space on the track.

17: Remove the protective film from the gear cover.

18: Cut the gear cover to fit the space if necessary.

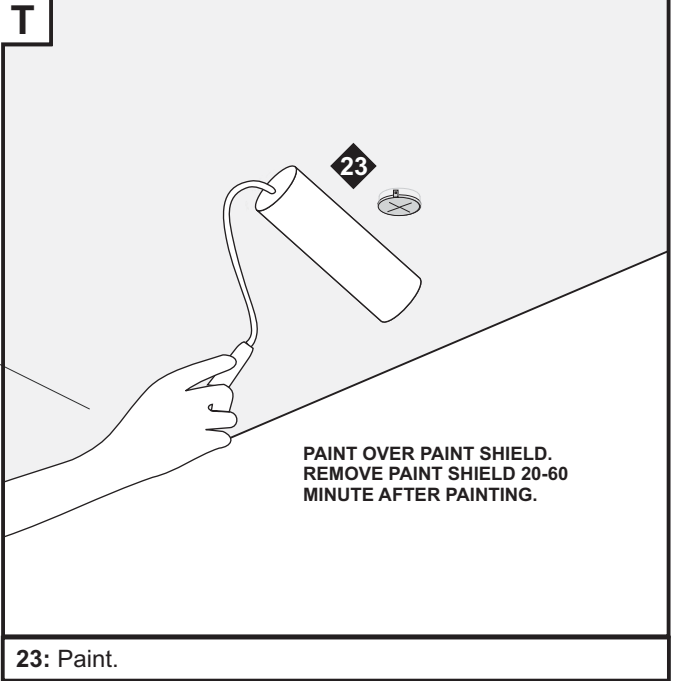


ELECTRICAL CONTRACTOR

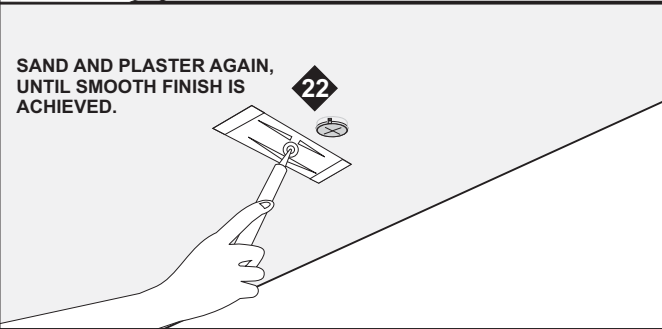
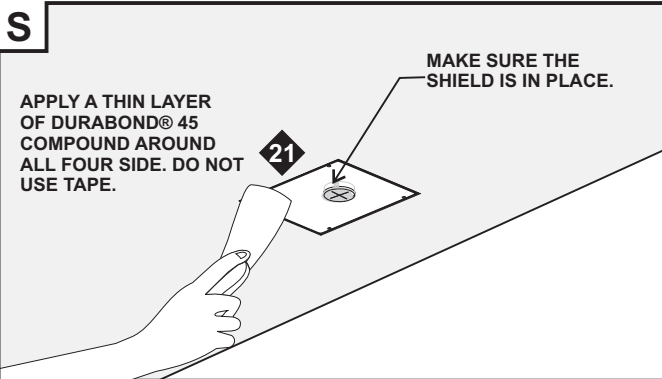


19: Insert the gear cover (make sure the gear cover clips are facing the lamp assembly rack) from the bottom of the aperture.

20: Start by snapping the two bottom gear cover clips onto the bottom edge and then snap the top two clips onto the top edge.

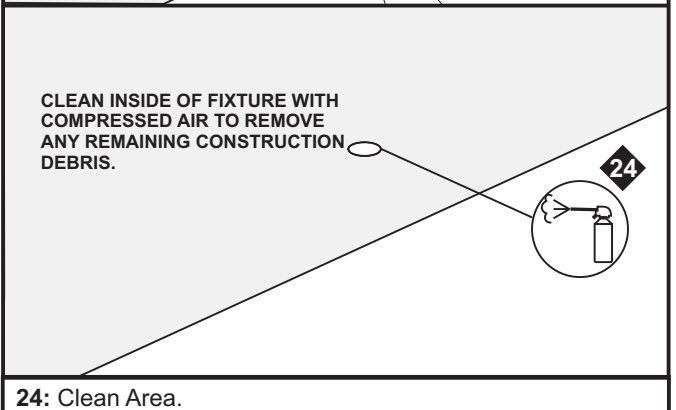


DRYWALL CONTRACTOR



21: Plaster.

22: Sand.

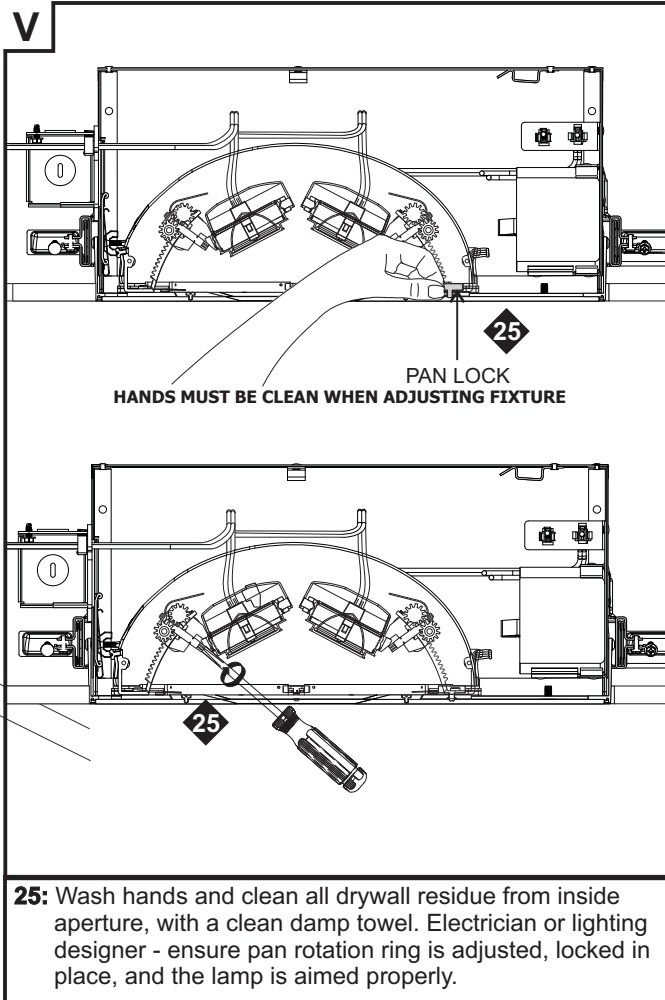


24: Clean Area.



ELECTRICAL CONTRACTOR

V



25: Wash hands and clean all drywall residue from inside aperture, with a clean damp towel. Electrician or lighting designer - ensure pan rotation ring is adjusted, locked in place, and the lamp is aimed properly.