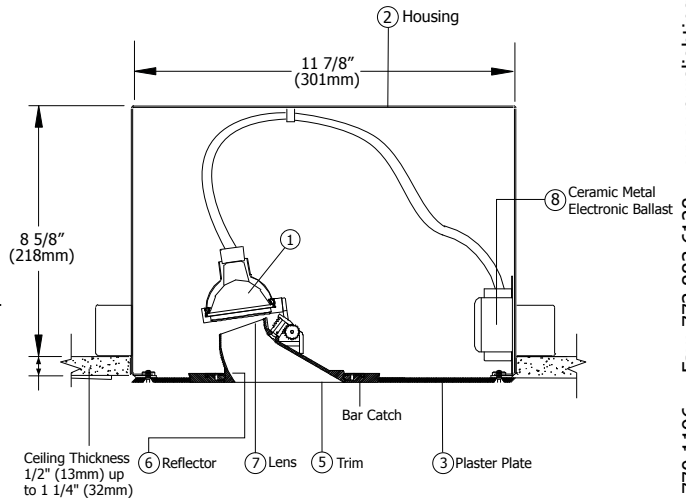


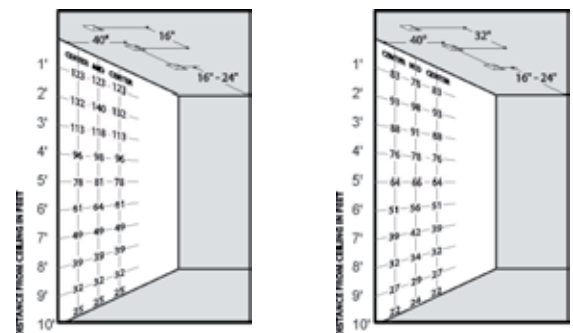
Description: Specification grade recessed plaster-in (drywall) flangeless, flush wall wash fixture. Trim offers no-glare aperture and ultra uniform field of light to top of wall. Mounts at 32" (813mm) center to center and 40" (1016mm) from center to wall.

- ① **Lamp:** Ceramic Metal Halide ES16 39W 24 degree beam.
- ② **Housing:** Includes standard 120V electronic ballast; IC and airtight, suitable for remodel or new construction.
- ③ **Plaster Plate:** 11 7/8" (301mm) x 9 1/4" (235mm) x 1/8" (3mm) aluminum plaster plate, primed and mounted flush with ceiling. Apply Durabond® ceiling compound at the perimeter of the housing. Compatible only with traditional, level 5 surface finishing, not self-leveling, PVA primer systems.
- ④ **Mounting:** Self leveling telescoping mounting bars extend to allow mounting between studs 16"-24" (406-609mm) O.C. mounting hardware is suitable for new and remodel commercial or residential drywall construction. Designed to accommodate ceiling thickness from 1/2" (13mm) to 1 1/4" (32mm). Notch marking for laser alignment.
- ⑤ **Trim:** Die-cast and precision-machined aluminum 3 1/2" (89mm) aperture. Flangeless, flush square trim with precision snap-fit into the plaster plate.
- ⑥ **Reflector:** Precision cut aluminum with silver haze, brushed bronze, white or black finish.
- ⑦ **Lens:** Supplied with frosted prismatic lens to provide smooth beam patterns.
- ⑧ **Electrical:** 120V input (standard) lamp operation in accordance with ANSI specification number M156, U.L., and C-U.L. listed for damp location.



Label: UL, C-UL listed for dry or wet locations.
Weight: 23lbs (10.43kg)
Accessories: Lenses and additional parts (see accessories).

MUL TIPLE UNITS - FOOTCANDLES ON WALL
 SLI LIGHTING BRITESPOT 39 Watt ES16 24° Beam



Genna Ordering Code For Complete Fixture:

120V Standard Electronic Ballast:

Collection 3.5" Aperture
 IC Housing Function Trim Finish

AC6 - GWS3 - WS3W

Aurora Genna WS3W - White
 Ceramic Wall Wash WS3SA - Satin Aluminum
 6 - ES16 WS3SZ - Satin Bronze
 WS3SB - Satin Black

COMPANY:		FIXTURE TYPE:		DATE:	
PROJECT:		APPROVED BY:			

Product specification subject to change without notification. Valid as of November 18, 2011. Revision 3



www.purelighting.com
 Fax: 773.883.6128
 Ph: 773.770.1196
 Chicago, IL 60614
 Fullerton 1718 W.