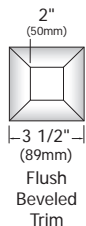
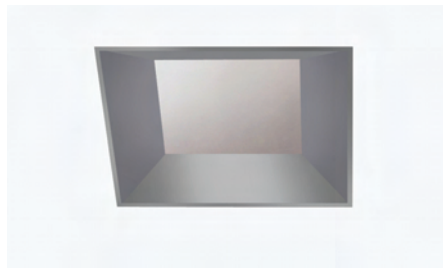


# Aurora MR16 Accent Square Beveled 2.0 aperture

# AH1-ASB-SB2

Patent Pending.

Adjustable Accent MR16-50W, 2.0" Aperture



**Description:** Specification grade, recessed, adjustable accent fixture for plaster or drywall construction. The flush mounted rigid plaster plate, which is finished into the ceiling, maintains a flat finish and secures the removable flush beveled trim. The beveled trim raises the 2" (50mm) aperture above the ceiling plane and combining the Aurora dome with the tilt gear hidden behind the lamp creates a clean internal look. Suitable for wet locations with optional lens.

- ① **Lamp:** MR16 12V 50W IR (infrared, equal to 75W halogen) (not included)
- ② **Adjustability:** Hot aiming with Phillips screwdriver offers 0 to 42 degrees vertical adjustment and 362 degree horizontal rotation without beam clipping (see lamp chart). Precision machined gear adjustment is concealed behind the lamp. Features self locking tilt and manual locking horizontal rotation.
- ③ **Housing:** AH1 IC and air-tight construction, .040" (1mm) thick die formed aluminum. Suitable for remodel and new construction.
- ④ **Dome:** Spun aluminum, anodized to a soft haze finish. Hides electrical hardware and tilts for easy access to junction box and transformer.
- ⑤ **Plaster Plate:** 11 7/8" (301mm) x 9 1/4" (235mm) x 1/8" (3mm) aluminum plaster plate, primed and mounted flush with ceiling. Apply Durabond®\*\* ceiling compound at the perimeter of the housing. This prevents chipping and cracking at the trim aperture, which is common with other flush beveled fixtures.
- ⑥ **Mounting:** Self leveling u-shape telescoping hanger bars extend to allow mounting between studs 13 1/4" - 24" (336-609mm) O.C. Mounting is suitable for new and remodel commercial or residential drywall construction. Designed to accommodate ceiling thickness from 1/2" (13mm) to 1 1/4" (32mm). Notch and label marking for laser alignment.
- ⑦ **Trim:** Die-cast and precision-machined aluminum 3.5" (89mm) trim with a 2" (50mm) aperture. Flush beveled trim mounts with a precision snap-fit into the plaster plate. Finished with white non-gloss powder-coat paint or satin aluminum, bronze or black finishes. Wet location lens #LWET available as an accessory.
- ⑧ **Snoot/Back Light Shield:** Machined aluminum snoot and die formed aluminum back shield controls internal spill light. The snoot carries the lamp, a soft focus lens (included) and two optional accessories. Relamp by pulling snoot, which is secured by 5 bullet catches.
- ⑨ **Electrical:** Standard toroidal magnetic transformer rated for 75W load at 120V 60Hz includes integral thermal protection and potting for noise reduction. Secondary output voltage is 11.8 volts. (Electronic USA & international versions: 120V, 230V, 277V). High temperature socket features pure nickel contacts. Total power consumed with load and transformer loss 55 watts 120 volts. Spring clip allows transformer to be easily removed.

**Dimmer Type:** Dimmer must be compatible with magnetic low-voltage transformers except for electronic USA & international voltage versions.  
**Label:** UL, C-UL and CE listed for damp location or wet location when used with glass lens accessory #LWET. 42W max when used with accessory lens.  
**Weight:** 18.75lbs (8.5kg)  
**Accessories:** Lenses and individual components (see accessories page).

### Aurora Ordering Code For Complete Fixture:

#### 120V Standard Magnetic:

Collection Function 2.0" Aperture  
IC Housing Plaster Plate Trim Finish

**AH1 - ASB - SB2W**

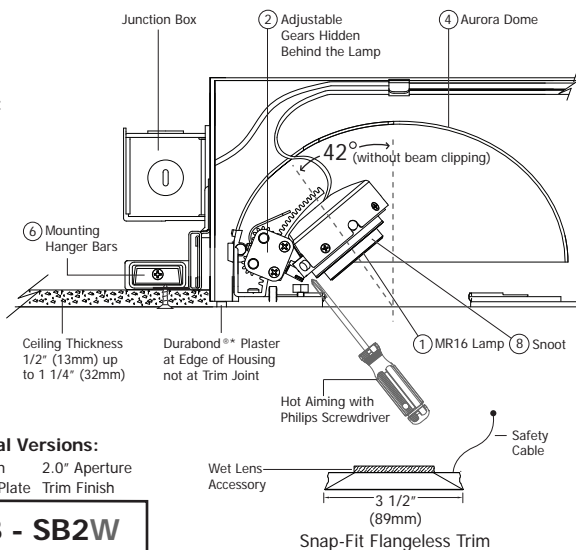
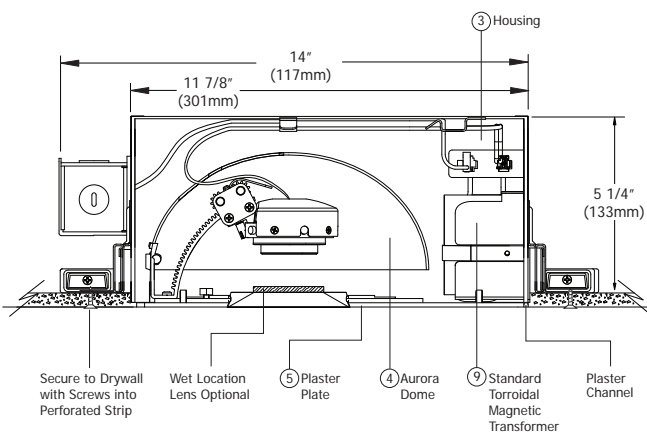
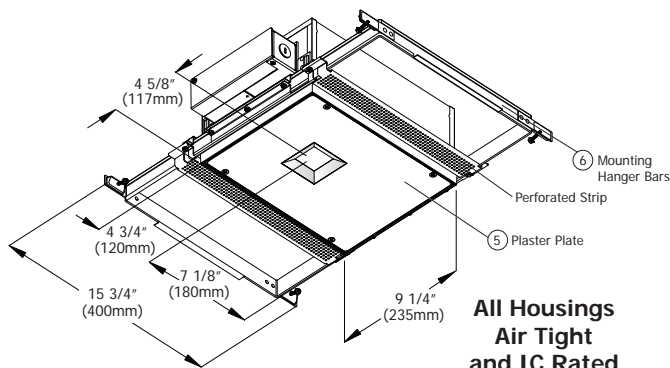
Aurora Accent SB2W - White  
Halogen Square SB2SA - Satin Aluminum  
1 - MR16 Beveled SB2SZ - Satin Bronze  
SB2SB - Satin Black

#### Electronic USA & International Versions:

Collection IC Function 2.0" Aperture  
Housing-Voltage Plaster Plate Trim Finish

**AH1-1 - ASB - SB2W**

Aurora 1 - 120V 60HZ Accent SB2W - White  
Halogen 2 - 230V 50HZ Square SB2SA - Satin Aluminum  
1 - MR16 3 - 277V 60HZ Beveled SB2SZ - Satin Bronze  
SB2SB - Satin Black



COMPANY:		FIXTURE TYPE:		DATE:	
PROJECT:		APPROVED BY:			

Product specification subject to change without notification. Valid as of June 16, 2010. Revision 2.

\*Durabond® brand is a trademark of USG Corporation.

www.purelighting.com

Fax: 773.883.6128

Ph: 773.770.1196

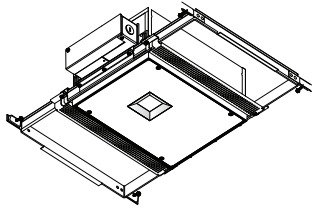
IL 60614

Chicago, IL

1718 W. Fullerton



**Individual Components**



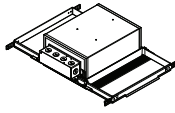
**AH1-ASB-SB2**  
(Complete Fixture)

120V Standard Magnetic  
IC Housing Part #

**AH1** - 120V 60Hz

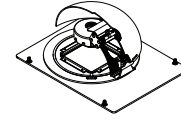
Electronic USA & International  
IC Housing Part #

**AH1-1** - 120V 60Hz  
**AH1-2** - 230V 50Hz  
**AH1-3** - 277V 60Hz



Aurora Halogen Housing Only

Plaster Plate Part #**ASB**



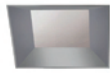
Accent Square Beveled Plaster Plate Only

Trim Part #**SB2W**



Square Beveled 2" Aperture, White  
Trim Only

Trim Part #**SB2SA**



Square Beveled 2" Aperture, Satin Aluminum  
Trim Only

Trim Part #**SB2SZ**



Square Beveled 2" Aperture, Satin Bronze  
Trim Only

Trim Part #**SB2SB**



Square Beveled 2" Aperture, Satin Black  
Trim Only

**2" Lens Accessories**

PART #	COLORS
--------	--------



**Dichroic Lenses**

<b>L16-RD</b>	RED
<b>L16-AM</b>	AMBER
<b>L16-YL</b>	YELLOW
<b>L16-GR</b>	GREEN
<b>L16-BL</b>	BLUE
<b>L16-PH</b>	PEACH
<b>L16-MG</b>	MAGENTA
<b>L16-CY</b>	CYAN
<b>L16-DB</b>	DARK BLUE
<b>L16-DP</b>	DARK PINK



**Optical Lenses**

<b>L16-F</b>	FROST
<b>L16-SF</b>	SOFT FOCUS
<b>L16-MD</b>	MEDIUM DIFFUSER
<b>L16-WD</b>	WIDE DIFFUSER
<b>L16-WDF</b>	WIDE DIFFUSER FROSTED
<b>L16-LS</b>	LINEAR SPREAD
<b>L16-LSF</b>	LINEAR SPREAD FROSTED



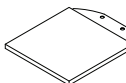
**Hexcell Louver**

<b>LO16-H</b>	HEXCELL LOUVER
---------------	----------------



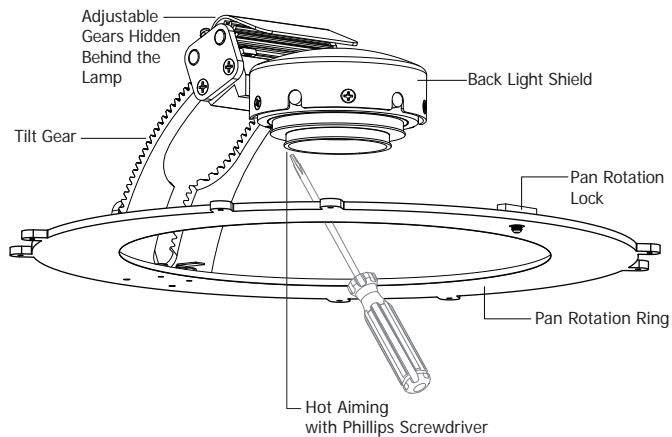
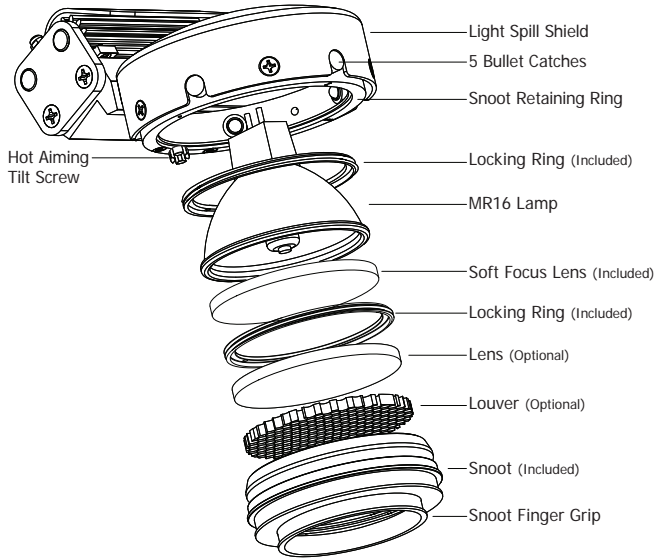
**U.V. Filter**

<b>L16-UV</b>	U.V. FILTER
---------------	-------------



**Wet Location Lens**

**LWET**  
A SOFT FOCUS  
GLASS LENS THAT  
ATTACHES TO TRIM  
FOR WET LOCATIONS.



COMPANY:	FIXTURE TYPE:	DATE:
PROJECT:	APPROVED BY:	