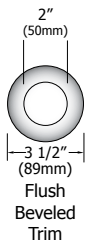


Aurora MR16 Accent Round Beveled 2.0 aperture

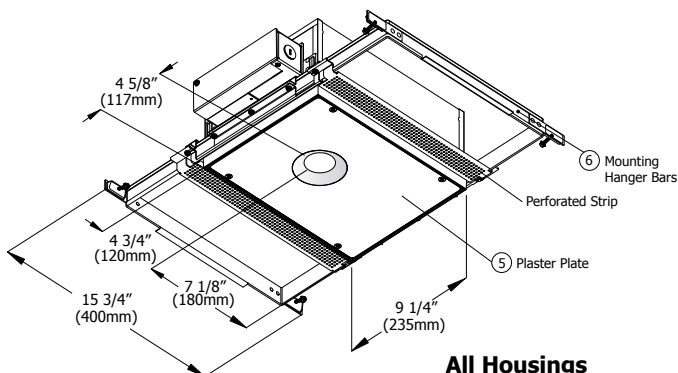
AH1-ARB-RB2

Patent Pending.

Adjustable Accent MR16-50W, 2.0" Aperture

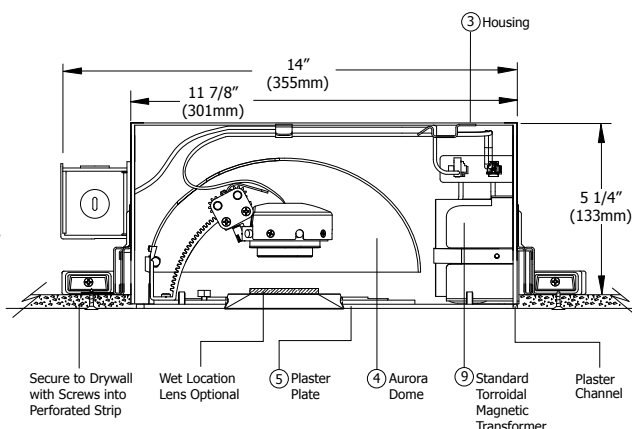


Description: Specification grade, recessed, adjustable accent fixture for plaster or drywall construction. The flush mounted rigid plaster plate, which is finished into the ceiling, maintains a flat finish and secures the removable flush beveled trim. The beveled trim raises the 2" (50mm) aperture above the ceiling plane and combining the Aurora dome with the tilt gear hidden behind the lamp creates a clean internal look. Suitable for wet locations with optional lens.



**All Housings
Air Tight
and IC Rated**

- ① **Lamp:** MR16 12V 50W IR (infrared, equal to 75W halogen) (not included)
- ② **Adjustability:** Hot aiming with Philips screwdriver offers 0 to 42 degrees vertical adjustment and 362 degree horizontal rotation without beam clipping (see lamp chart). Precision machined gear adjustment is concealed behind the lamp. Features self locking tilt and manual locking horizontal rotation.
- ③ **Housing:** AH1 IC and air-tight construction, .040" (1mm) thick die formed aluminum. Suitable for remodel and new construction.
- ④ **Dome:** Spun aluminum, anodized to a soft haze finish. Hides electrical hardware and tilts for easy access to junction box and transformer.
- ⑤ **Plaster Plate:** 11 7/8" (301mm) x 9 1/4" (235mm) x 1/8" (3mm) aluminum plaster plate, primed and mounted flush with ceiling. Apply Durabond®** ceiling compound at the perimeter of the housing. Compatible only with traditional, level 5 surface finishing, not self-leveling, PVA primer systems.
- ⑥ **Mounting:** Self leveling u-shape telescoping hanger bars extend to allow mounting between studs 13 1/4" - 24" (336-609mm) O.C. Mounting is suitable for new and remodel commercial or residential drywall construction. Designed to accommodate ceiling thickness from 1/2" (13mm) to 1 1/4" (32mm). Notch and label marking for laser alignment.
- ⑦ **Trim:** Die-cast and precision-machined aluminum 3.5" (89mm) trim with a 2" (50mm) aperture. Flangeless, flush beveled trim mounts with a precision snap-fit into the plaster plate. Finished with white non-gloss powder-coat paint or painted bronze, black or soft silver haze finishes. Wet location lens #LWET available as an accessory.
- ⑧ **Snoot/Back Light Shield:** Machined aluminum snoot and die formed aluminum back shield controls internal spill light. The snoot carries the lamp, a soft focus lens (included) and two optional accessories. Relamp by pulling snoot, which is secured by 5 bullet catches.
- ⑨ **Electrical:** Standard toroidal magnetic transformer rated for 75W load at 120V 60Hz includes integral thermal protection and potting for noise reduction. Secondary output voltage is 11.8 volts. (Electronic USA & international versions: 120V, 230V, 277V). High temperature socket features pure nickel contacts. Total power consumed with load and transformer loss 55 watts 120 volts. Spring clip allows transformer to be easily removed.

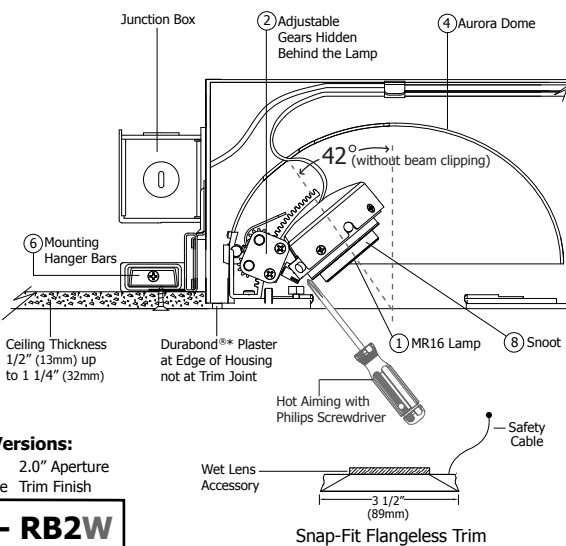


Dimmer Type: Dimmer must be compatible with magnetic low-voltage transformers except for electronic USA & international voltage versions.

Label: UL, C-UL and CE listed for damp location or wet location when used with glass lens accessory #LWET. 42W max when used with accessory lens.

Weight: 18.75lbs (8.5kg)

Accessories: Lenses and individual components (see accessories page).



Aurora Ordering Code For Complete Fixture:

120V Standard Magnetic:

Collection Function 2.0" Aperture
IC Housing Plaster Plate Trim Finish

AH1 - ARB - RB2W

Aurora Accent **RB2W** - White
Halogen Round **RB2H** - Haze SL
1 - MR16 Beveled **RB2Z** - Bronze
RB2B - Black

Electronic USA & International Versions:

Collection IC Function 2.0" Aperture
Housing-Voltage Plaster Plate Trim Finish

AH1-1 - ARB - RB2W

Aurora 1 - 120V 60HZ Accent **RB2W** - White
Halogen 2 - 230V 50HZ Round **RB2H** - Haze SL
1 - MR16 3 - 277V 60HZ Beveled **RB2Z** - Bronze
RB2B - Black

COMPANY:		FIXTURE TYPE:		DATE:	
PROJECT:		APPROVED BY:			

Product specification subject to change without notification. Valid as of November 16, 2011. Revision 2.

*Durabond® brand is a trademark of USG Corporation.

www.purelighting.com

Fax: 773.883.6128

Ph: 773.770.1196

Chicago, IL 60614

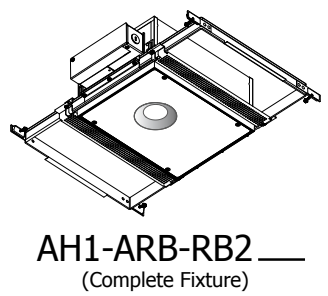
1718 W. Fullerton

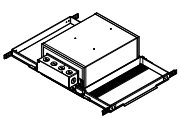


Codes for Ordering Individual Components & Lens Accessories **AH1-ARB-RB2**

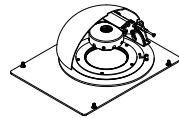
Adjustable Accent MR16-50W, 2.0" Aperture

Individual Components



<p>120V Standard Magnetic IC Housing Part #</p> <p>AH1 - 120V 60Hz</p>	 <p>Aurora Halogen Housing Only</p>	<p>Electronic USA & International IC Housing Part #</p> <p>AH1-1 - 120V 60Hz AH1-2 - 230V 50Hz AH1-3 - 277V 60Hz</p>
---	--	---

Plaster Plate Part #**ARB**



Accent Round Beveled Plaster Plate Only

Trim Part #**RB2W**



Round Beveled 2" Aperture, White Trim Only

Trim Part #**RB2H**



Round Beveled 2" Aperture, Haze SL Trim Only

Trim Part #**RB2Z**



Round Beveled 2" Aperture, Bronze Trim Only


Trim Part #**RB2B**




Round Beveled 2" Aperture, Black Trim Only

2" Lens Accessories


PART #	COLORS
--------	--------

 Dichroic Lenses

L16-RD	RED
L16-AM	AMBER
L16-YL	YELLOW
L16-GR	GREEN
L16-BL	BLUE
L16-PH	PEACH
L16-MG	MAGENTA
L16-CY	CYAN
L16-DB	DARK BLUE
L16-DP	DARK PINK

 Optical Lenses

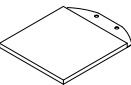
L16-F	FROST
L16-SF	SOFT FOCUS
L16-MD	MEDIUM DIFFUSER
L16-WD	WIDE DIFFUSER
L16-WDF	WIDE DIFFUSER FROSTED
L16-LS	LINEAR SPREAD
L16-LSF	LINEAR SPREAD FROSTED

 Hexcell Louver

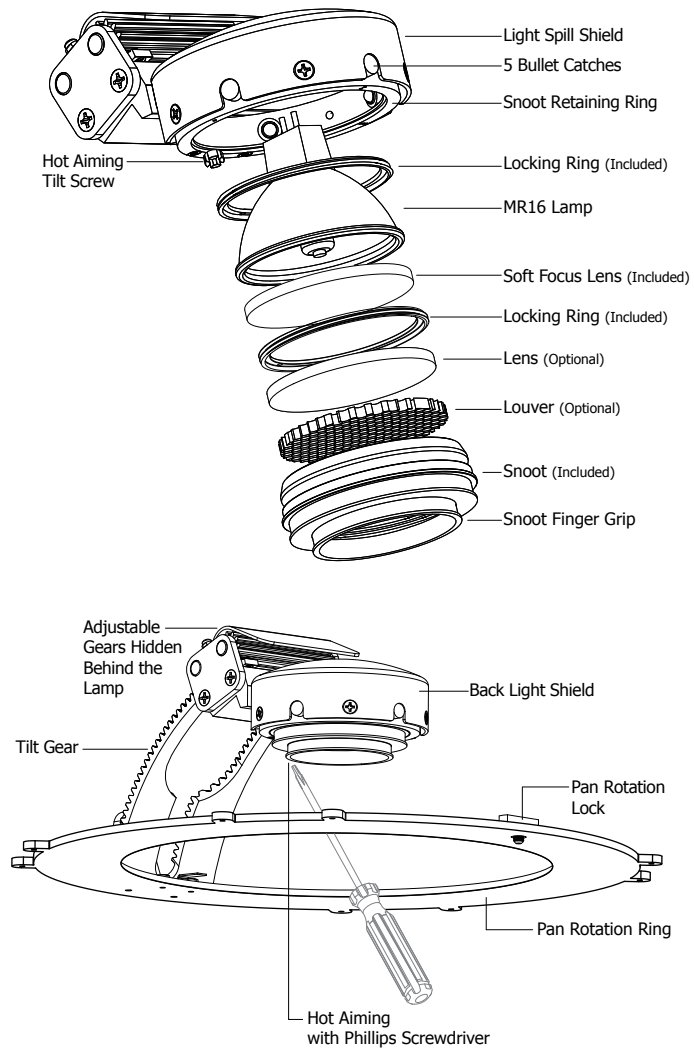
LO16-H	HEXCELL LOUVER
---------------	----------------

 U.V. Filter

L16-UV	U.V. FILTER
---------------	-------------

 Wet Location Lens

LWET	A SOFT FOCUS GLASS LENS THAT ATTACHES TO TRIM FOR WET LOCATIONS.
-------------	--



COMPANY:	FIXTURE TYPE:	DATE:
PROJECT:	APPROVED BY:	

Product specification subject to change without notification. Valid as of November 16, 2011. Revision 2.

www.purelighting.com
 Fax: 773.883.6128
 Ph: 773.770.1196
 Chicago, IL 60614
 1718 W. Fullerton
Pure LIGHTING