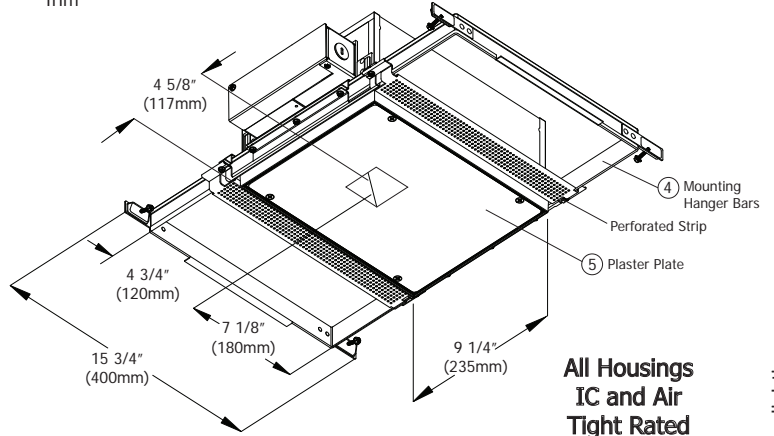


Genna MR16 Wall Wash 3.5 aperture

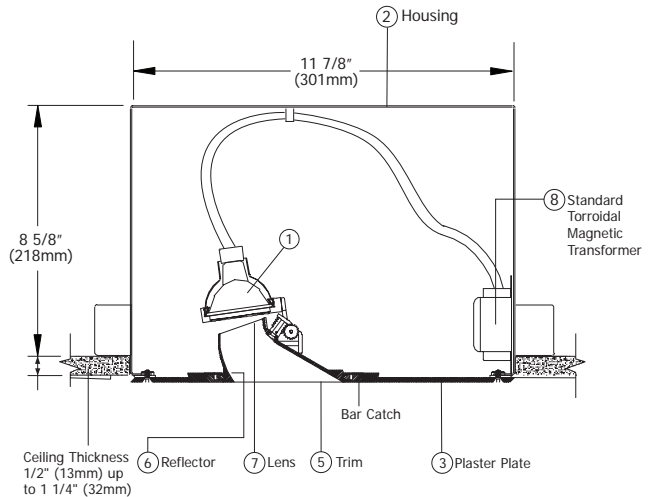
AH6-GWS3-WS3

Wall Wash MR16-50W, 3.5" Flush Trim Aperture



Description: Specification grade recessed plaster-in (drywall) flangeless, flush wall wash fixture. Trim offers no-glare aperture and ultra uniform field of light to top of wall. Mounts at 32" (813mm) center to center and 40" (1016mm) from center to wall.

- ① **Lamp:** MR16, 12v, 25 degree NFL, IR Lamp, 50 watt maximum (IR=Infrared, 50W equal to 75W Halogen).
- ② **Housing:** AH6 IC and air tight construction, 19 gage die formed aluminum. Suitable for remodel and new construction.
- ③ **Plaster Plate:** 11 7/8" (301mm) x 9 1/4" (235 mm) x 1/8" (3mm) aluminum plaster plate, primed and mounted flush with ceiling. Apply Durabond® ceiling compound at the perimeter of the housing. This prevents chipping and cracking at the trim aperture, which is common with other flush fixtures.
- ④ **Mounting:** Self leveling telescoping mounting bars extend to allow mounting between studs 16"-24" (406-609mm) O.C. Mounting hardware is suitable for new and remodel commercial or residential drywall construction. Designed to accommodate ceiling thickness from 1/2" (13mm) to 1 1/4" (32mm). Notch marking for laser alignment.
- ⑤ **Trim:** Die-cast and precision-machined aluminum 3 1/2" (89mm) aperture. Flangeless, flush square trim with precision snap-fit into the plaster plate.
- ⑥ **Reflector:** Precision cut aluminum with silver haze, brushed bronze, white or black finish.
- ⑦ **Lens:** Supplied with frosted prismatic lens to provide smooth beam patterns.
- ⑧ **Electrical:** Standard 75W 120V 60Hz toroidal magnetic transformer includes integral thermal protection and potting for noise reduction. Spring clip allows transformer to be easily removed or interchanged to electronic through the aperture. Primary leads 120V (Electronic & international versions: 120V, 230V, 277V). Secondary output voltage is 11.8 volts. Socket pure nickel contacts.



Dimmer Type: Dimmer must be compatible with low-voltage magnetic transformers except for electronic & international selection.

Label: UL, C-UL and CE listed for dry or wet location with wet location lens accessory #LWET.

Weight: 23lbs (10.43kg)

Accessories: Lenses and additional parts (see accessories page).

Genna Ordering Code For Complete Fixture:

120V Standard Magnetic:

Collection IC Housing Function 3.5" Aperture Trim Finish

AH6 - GWS3 - WS3W

Aurora Genna **WS3W** - White
Halogen Wall Wash **WS3H** - Haze SL
6 - MR16 Square **WS3Z** - Bronze
3.5" Aperture **WS3B** - Black

Electronic & International Versions:

Collection IC Housing-Voltage Function Plaster Plate 3.5" Aperture Trim Finish

AH6-1 - GWS3 - WS3W

Aurora 1 - 120V 60HZ Genna **WS3W** - White
Halogen 2 - 230V 50HZ Wall Wash **WS3H** - Haze SL
6 - MR16 3 - 277V 60HZ Square **WS3Z** - Bronze
3.5" Aperture **WS3B** - Black

COMPANY:		FIXTURE TYPE:		DATE:	
PROJECT:		APPROVED BY:			

Product specification subject to change without notification. Valid as of April 21, 2008. Revision 1.

www.purelighting.com

Fax: 773.883.6128

Ph: 773.770.1196

Chicago, IL 60614

1718 W. Fullerton

