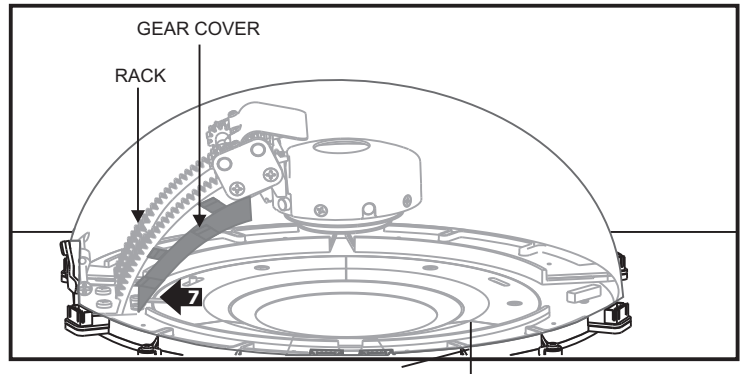
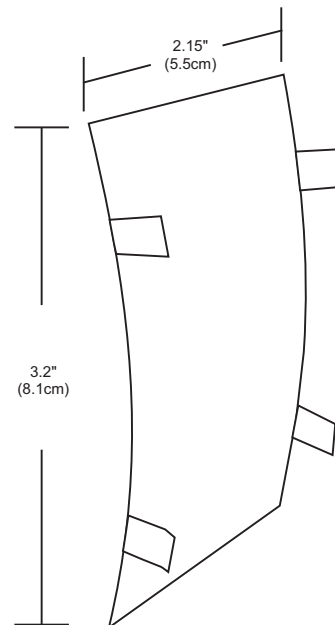


**Gear Cover Installation Diagram**



**Description:**

Die formed aluminum cover finished to match the inner dome to eliminate the silhouette of the rack.



**Ordering Code:**

**AGG**

COMPANY:		FIXTURE TYPE:		DATE:	
PROJECT:		APPROVED BY:			