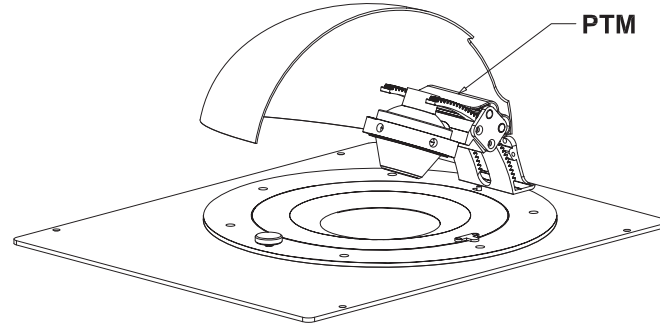
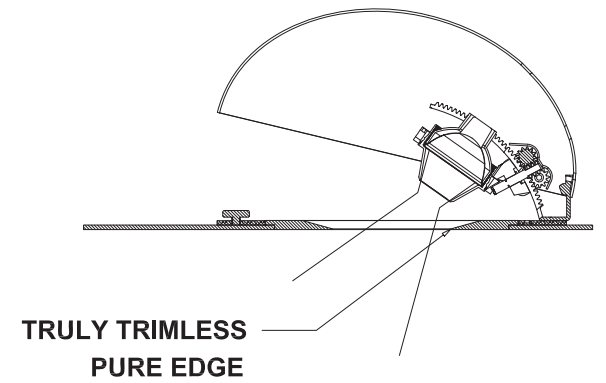


The plaster plate and flange frame acts as a heat sink to prevent cracking of the joint compound.



The Dome in combination with RGB LED's provides a formidable optical illusion.



The Pan Tilt Mechanism (PTM) is hidden behind the lamp holder and adjusts to 45 degree hot aim.