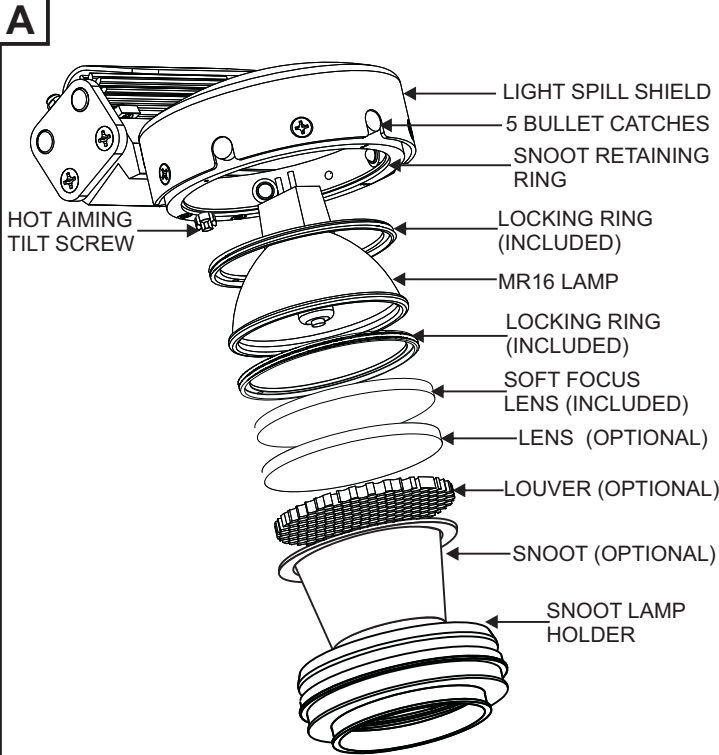
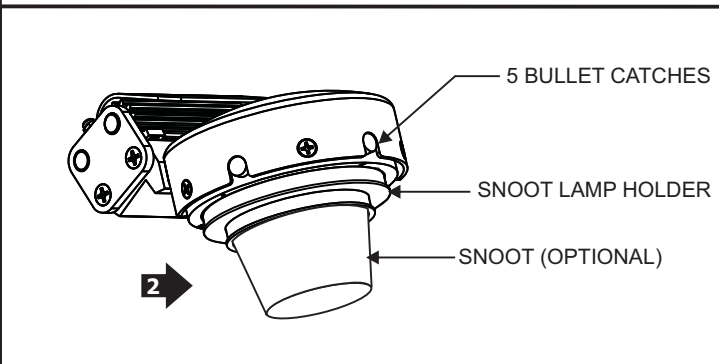


# Installation Instructions For Snoot (STB16-BK) Installation Instruction



1: Place the snoot, louver and lens (max 3) into the snoot lamp holder and secure with a locking ring. Followed with the MR16 lamp and secure with a locking ring. Make sure you tighten the locking ring respectively using a pen or small allen wrench.

2: Connect the MR16 to the socket (**Follow Main instruction for more details**) and snap the snoot lamp holder into the bullet catches.



## INSTALLED SNOOT DIAGRAM

